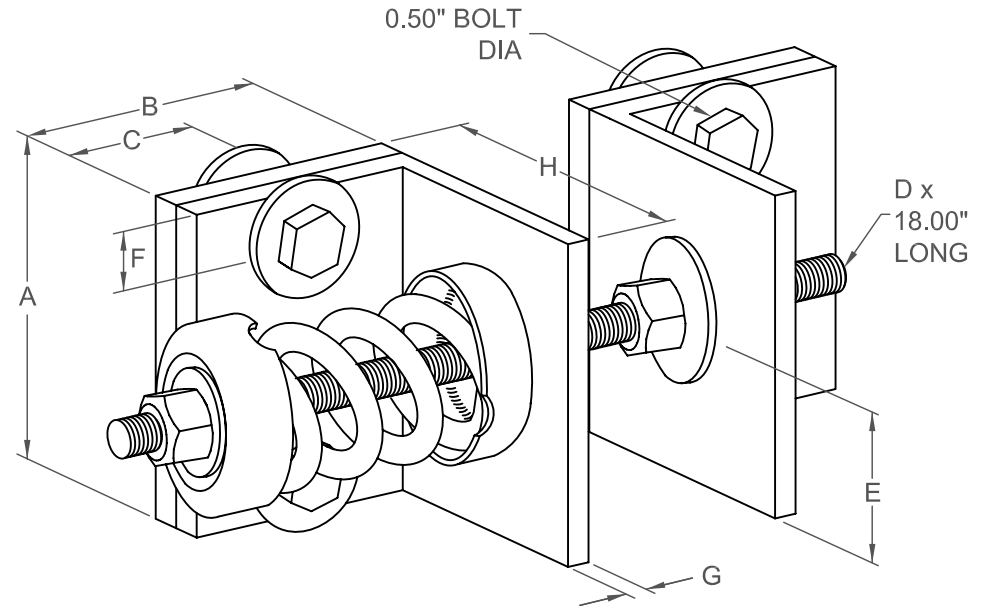


HSR 2" DEFLECTION ISOLATOR

IP UNITS (INCHES AND POUNDS)

TYPE	A	B	C	D	E	F	G	H
2-35/220	3.50	3.00	1.25	0.50	1.75	0.50	0.25	3.25
2-100/1975	5.00	3.00	1.00	0.63	2.50	0.50	0.25	5.25

STANDARD RATINGS		SPRING COIL					
		COLOR		FREE		RATED	
TYPE	SIZE	OUTER	INNER	HT.	O.D.	LOAD	DEFL.
HSR	2-35	BLUE		4.13	1.75	35	2.00
HSR	2-70	GREEN		4.13	1.75	70	2.00
HSR	2-120	GRAY		4.13	1.75	120	2.00
HSR	2-220	BROWN		4.13	1.75	220	2.00
HSR	2-100	GRAY		6.09	3.50	100	2.00
HSR	2-135	BEIGE		6.09	3.50	135	2.00
HSR	2-185	BROWN		6.09	3.50	185	2.00
HSR	2-225	GRAY	BROWN	6.09	3.50	225	2.00
HSR	2-250	BLUE		6.09	3.50	250	2.00
HSR	2-375	BLUE	BROWN	6.09	3.50	375	2.00
HSR	2-500	GREEN		6.09	3.50	500	2.00
HSR	2-625	GREEN	BROWN	6.09	3.50	625	2.00
HSR	2-750	BLACK		6.09	3.50	750	2.00
HSR	2-875	BLACK	BROWN	6.09	3.50	875	2.00
HSR	2-995	ORANGE		6.09	3.50	995	2.00
HSR	2-1120	ORANGE	BROWN	6.09	3.50	1120	2.00
HSR	2-1400	ORANGE	GREEN	6.09	3.50	1400	2.01
HSR	2-1600	RED		6.09	3.50	1600	2.00
HSR	2-1975	RED	GREEN	6.09	3.50	1975	1.98



SPECIFICATIONS:

- ISOLATORS ARE PROVIDED IN PAIRS
- ISOLATORS HAVE A MINIMUM K_x/K_y RATIO OF 1.0
- ISOLATORS HAVE A TYPICAL OVERLOAD CAPACITY OF 50%
- SPRING ELEMENTS ARE SAFE AT SOLID LOADING
- SPRING ELEMENTS ARE POWDER COATED
- ALL HARDWARE TO BE ZINC PLATED
- NEOPRENE NOISE CAP CONTAINS AN EMBEDDED STEEL CUP



KINETICS NOISE CONTROL, INC
 6300 IRELAN PL,
 DUBLIN, OH 43017 USA
 Ph: 614 889-0480, Fax: 614 889-0540
www.kineticsnoise.com

Model:
HSR-2
35/1975

By: **JMJ**
 Date: **03/14/03**
 Revised: **07/21/05 / BB**

Drawing No:
S-01.21-21