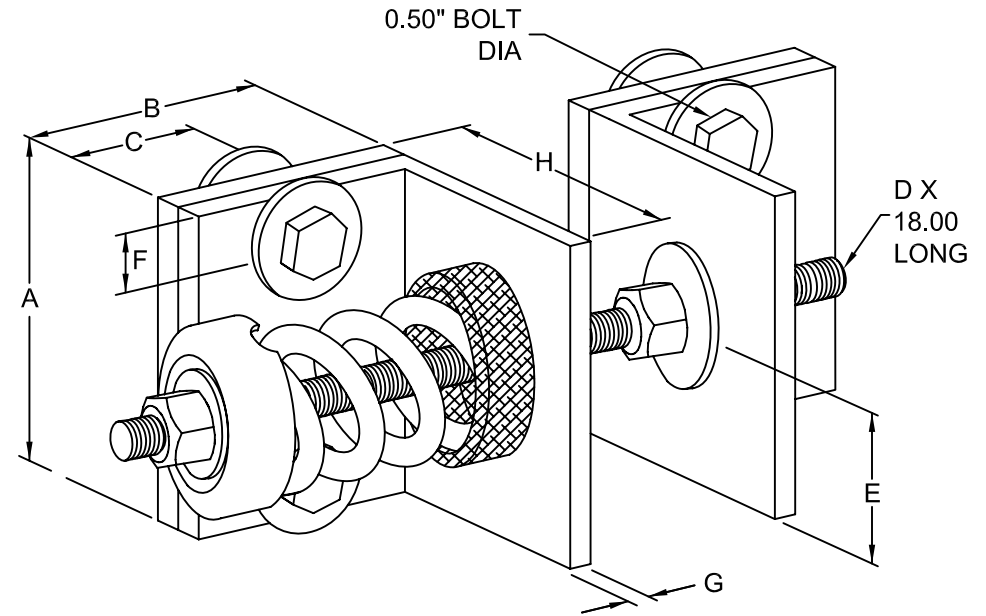


# HSR 1" DEFLECTION ISOLATOR

TYPE	A	B	C	D	E	F	G	H
1-35/805	3.50	3.00	1.25	0.50	1.75	0.50	0.25	3.25
1-250/3500	5.00	3.00	1.00	0.63	2.50	0.50	0.25	3.25

I-P UNITS (INCHES AND POUNDS)

STANDARD RATINGS		COIL	COIL FREE HT	O.D.	COIL CAPACITY
TYPE	SIZE				
HSR-1-35/805	1-35	BLUE	3.19	1.75	35
	1-70	GREEN	3.19	1.75	70
	1-120	GRAY	3.19	1.75	120
	1-220	BROWN	3.19	1.75	220
	1-370	ORANGE	3.19	1.75	370
	1-500	BEIGE	3.19	1.75	500
HSR-1-250/3500	1-600	CHROME	3.19	1.75	600
	1-250	BLUE	4.20	3.00	250
	1-450	GREEN	4.20	3.00	450
	1-625	BLACK	4.20	3.00	625
	1-800	GRAY	4.20	3.00	800
	1-1000	RED	4.20	3.00	1000
	1-1250	BROWN	4.20	3.00	1250
	1-1700	ORANGE	4.20	3.00	1700
	1-2200	ORG/GRY	4.20	3.00	2200
	1-2465	BLUE	4.20	3.00	2465
	1-2865	BLU/GRY	4.20	3.00	2865
1-3500	BLU/BRN	4.20	3.00	3500	



## SPECIFICATIONS:

- ISOLATORS ARE PROVIDED IN PAIRS
- ISOLATORS HAVE A MINIMUM K<sub>x</sub>/K<sub>y</sub> RATIO OF 1.0
- ISOLATORS HAVE A TYPICAL OVERLOAD CAPACITY OF 50%
- SPRING ELEMENTS ARE SAFE AT SOLID LOADING
- SPRING ELEMENTS ARE POWDER COATED
- ALL HARDWARE TO BE ZINC PLATED
- NEOPRENE NOISE CAP CONTAINS AN EMBEDDED STEEL CUP



KINETICS NOISE CONTROL, INC  
 6300 IRELAN PL,  
 DUBLIN, OH 43017 USA  
 Ph: 614 889-0480, Fax: 614 889-0540  
 www.kineticsnoise.com

Model:  
**HSR-1**  
**35/3500**

By: **JMJ**  
 Date: **03/13/03**  
 Revised: **/**

Drawing No:  
**S-01.21-11**