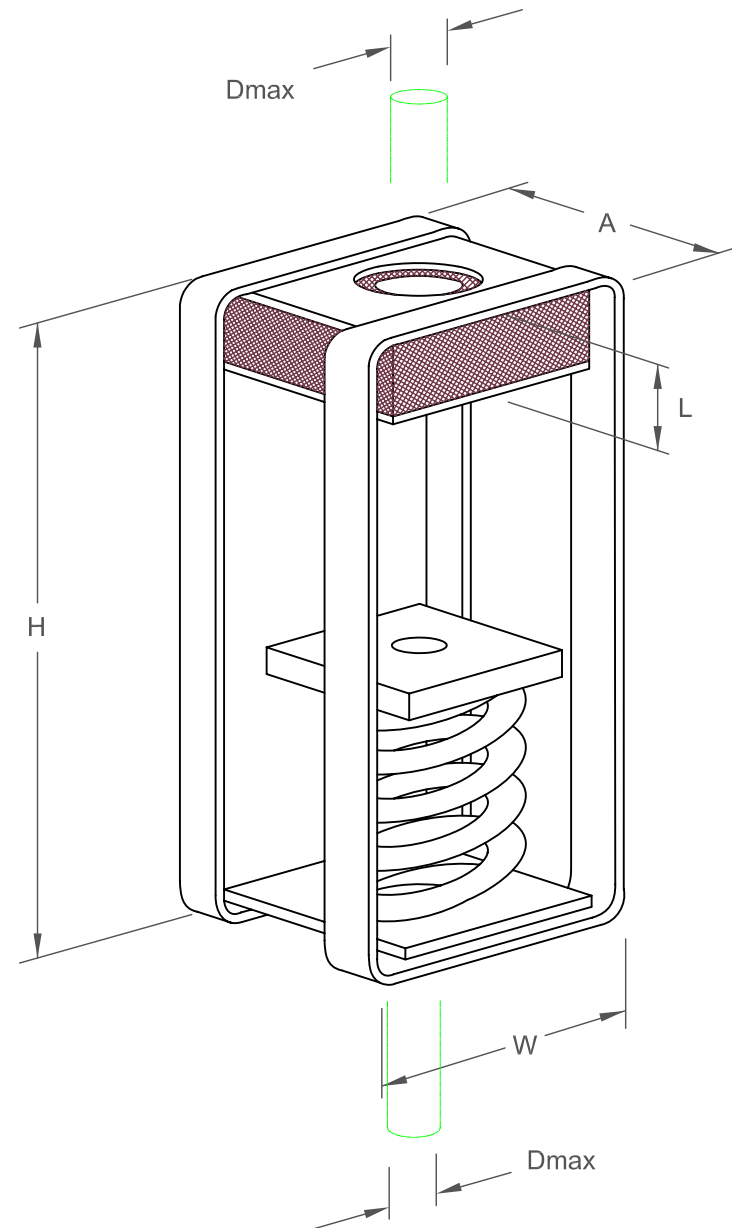


SRH 2" DEFLECTION ISOLATION HANGERS

IP UNITS (INCHES AND POUNDS)

TYPE	L	H	W	A	Dmax
2-2000/2500	1.75	12.00	6.00	6.00	1.00
2-2750/3250	1.75	12.00	6.00	6.00	1.00

STANDARD RATINGS				SPRING COIL				INSERT COLOR
TYPE	SIZE	LOAD	DEFL.	COLOR		FREE		
				OUTER	INNER	HT.	O.D.	
SRH	2-2000	2000	2.08	ORANGE		7.00	5.00	BLACK
SRH	2-2500	2500	2.10	BLUE		7.00	5.00	BLACK
SRH	2-2750	2750	2.12	BLUE	BLUE	7.00	5.00	BLACK
SRH	2-3025	3025	2.14	BLUE	GREEN	7.00	5.00	BLACK
SRH	2-3250	3250	2.14	BLUE	BLACK	7.00	5.00	BLACK



SPECIFICATIONS:

- SPRING ELEMENTS ARE POWDER COATED, BRACKETS ARE PAINTED
- LOAD PLATES ARE BRIGHT ZINC PLATED
- ISOLATION HANGERS HAVE A MINIMUM K_x/K_y RATIO OF 1.4
- SPRING ELEMENTS ARE SAFE AT SOLID LOADING
- HANGER BRACKETS WILL CARRY (5) TIMES OVERLOAD WITHOUT FAILURE
- HANGER BRACKETS WILL ALLOW 30° ROD MISALIGNMENT WITHOUT SHORT CIRCUITING



KINETICS NOISE CONTROL, INC
 6300 IRELAN PL,
 DUBLIN, OH 43017 USA
 Ph: 614 889-0480, Fax: 614 889-0540
 www.kineticsnoise.com

Model:
 SRH
 2-2000/2500

By: JMJ
 Date: 10/28/03
 Revised: /

Drawing No:
 S-03.37-24