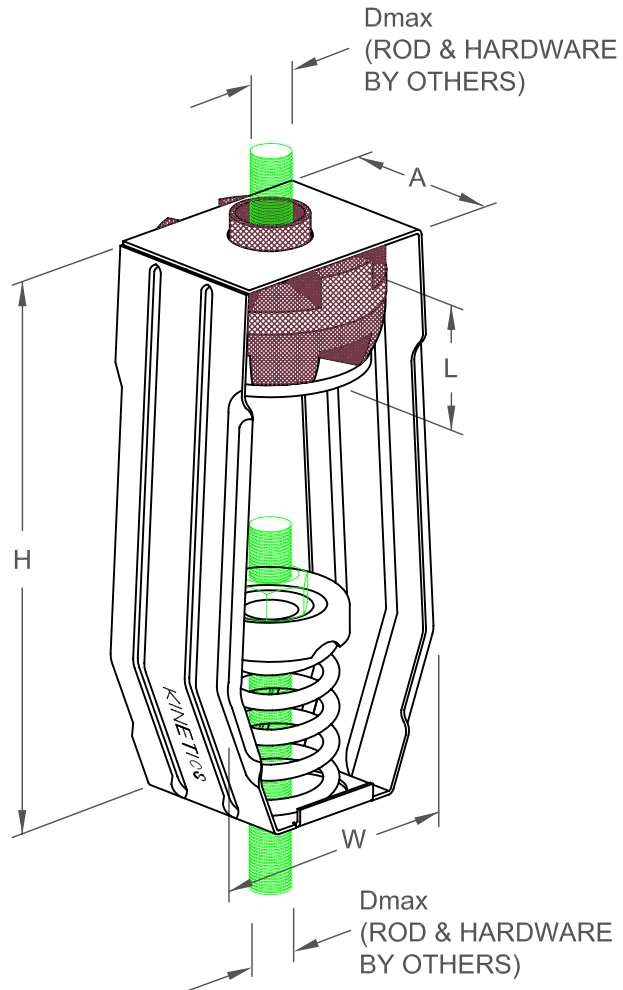


SRH 1" DEFLECTION ISOLATION HANGERS

IP UNITS (INCHES AND POUNDS)

TYPE	L	H	W	A	Dmax
1-35/370	1.72	7.38	3.69	2.25	0.63
1-500/805	1.89	7.38	3.69	2.25	0.63

STANDARD RATINGS				SPRING COIL				INSERT COLOR
TYPE	SIZE	LOAD	DEFL.	COLOR		FREE HT.	O.D.	
SRH	1-35	35	1.61	BLUE		3.19	1.75	BLACK
SRH	1-70	70	1.55	GREEN		3.19	1.75	BLACK
SRH	1-125	125	1.56	GRAY		3.19	1.75	BLACK
SRH	1-245	245	1.52	BROWN		3.19	1.75	GREEN
SRH	1-370	370	1.29	ORANGE		3.19	1.75	WHITE
SRH	1-500	500	1.45	BEIGE		3.19	1.75	WHITE
SRH	1-600	600	1.35	CHROME		3.19	1.75	PURPLE
* SRH	1-700	700	1.40	BEIGE	WHITE	3.19	1.75	PURPLE
* SRH	1-805	805	1.25	CHROME	WHITE	3.19	1.75	YELLOW



SPECIFICATIONS:

- SPRING ELEMENTS AND BRACKETS ARE POWDER COATED
- LOAD PLATES ARE BRIGHT ZINC PLATED
- ISOLATION HANGERS HAVE A TYPICAL OVERLOAD OF 50%
- ISOLATION HANGERS HAVE A MINIMUM K_x/K_y RATIO OF 1.0
- SPRING ELEMENTS ARE SAFE AT SOLID LOADING
- HANGER BRACKETS WILL CARRY (5) TIMES OVERLOAD WITHOUT FAILURE
- HANGER BRACKETS WILL ALLOW 30° ROD MISALIGNMENT WITHOUT SHORT CIRCUITING, EXCEPT AS NOTED (*)
- ISOLATION HANGERS MARKED (*) HAVE A NEOPRENE BOTTOM SPRING CAP WITH GROMMET
- "NO SHORT" STEP CAP



KINETICS NOISE CONTROL, INC
6300 IRELAN PL,
DUBLIN, OH 43017 USA
Ph: 614 889-0480, Fax: 614 889-0540
www.kineticsnoise.com

Model:
SRH
1-35/805

By: JMJ
Date: 02/25/03
Revised: /

Drawing No:
S-03.37-11