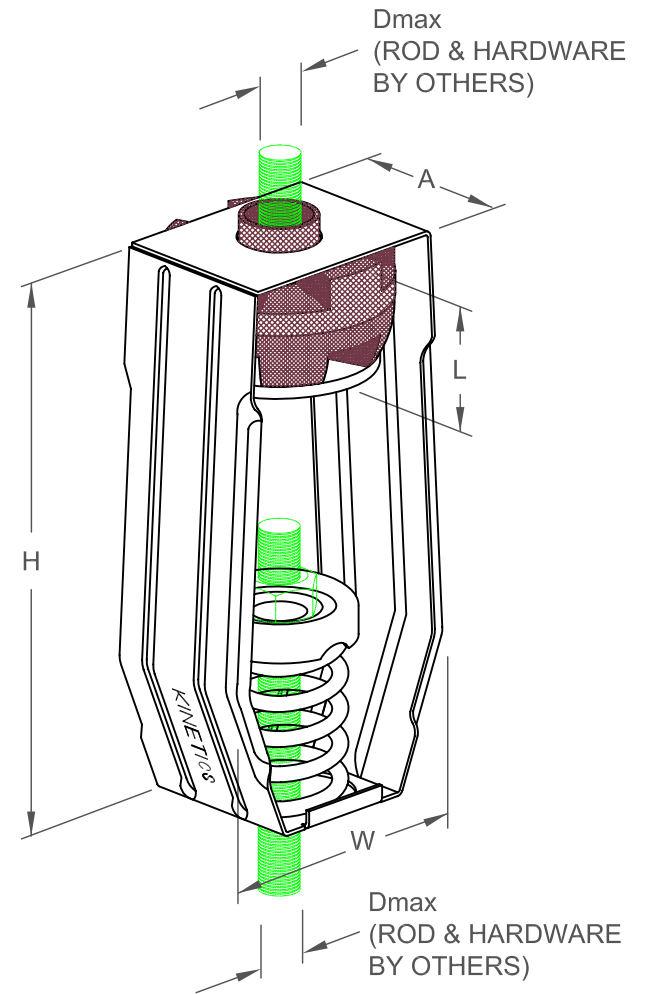


# SRH 1" DEFLECTION ISOLATION HANGERS

IP UNITS (INCHES AND POUNDS)

TYPE	L	H	W	A	Dmax
1-250/1000	2.00	8.59	5.58	3.63	0.88

STANDARD RATINGS				SPRING COIL			INSERT
TYPE	SIZE	LOAD	DEFL.	COLOR	FREE HT.	O.D.	COLOR
SRH	1-250	250	2.12	BLUE	4.20	3.00	GREEN
SRH	1-450	450	1.94	GREEN	4.20	3.00	WHITE
SRH	1-625	625	1.80	BLACK	4.20	3.00	PURPLE
SRH	1-800	800	1.55	GRAY	4.20	3.00	YELLOW
SRH	1-1000	1000	1.45	RED	4.20	3.00	YELLOW



## SPECIFICATIONS:

- SPRING ELEMENTS AND BRACKETS ARE POWDER COATED
- LOAD PLATES ARE BRIGHT ZINC PLATED
- ISOLATION HANGERS HAVE A MINIMUM Kx/Ky RATIO OF 1.4
- SPRING ELEMENTS ARE SAFE AT SOLID LOADING
- HANGER BRACKETS WILL CARRY (5) TIMES OVERLOAD WITHOUT FAILURE
- ISOLATION HANGERS HAVE A TYPICAL OVERLOAD OF 50%
- HANGER BRACKETS WILL ALLOW 30° ROD MISALIGNMENT WITHOUT SHORT CIRCUITING
- "NO SHORT" STEP CAP



KINETICS NOISE CONTROL, INC  
6300 IRELAN PL,  
DUBLIN, OH 43017 USA  
Ph: 614 889-0480, Fax: 614 889-0540  
www.kineticsnoise.com

Model:  
SRH  
1-250/1000

By: JMJ  
Date: 02/26/03  
Revised: /

Drawing No:  
S-03.37-12