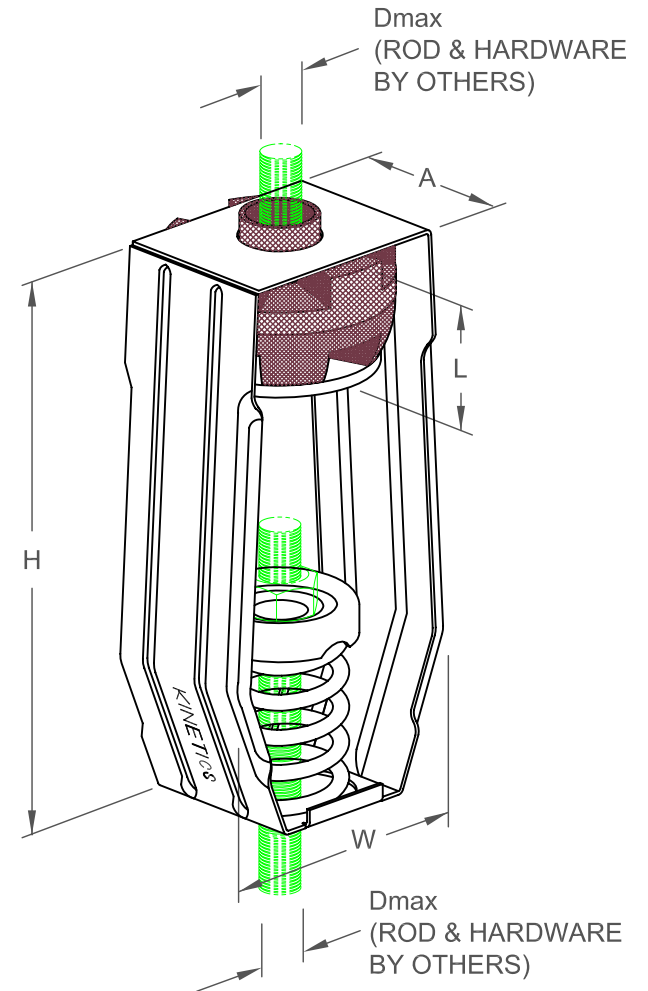


SRH 25 mm DEFLECTION ISOLATION HANGERS

S-I UNITS (mm AND kg)

TYPE	L	H	W	A	Dmax
1-250/1000	51	218	142	92	22

STANDARD RATINGS				SPRING COIL			INSERT
TYPE	SIZE	LOAD	DEFL.	COLOR	FREE HT.	O.D.	COLOR
SRH	1-250	113	54	BLUE	107	76	GREEN
SRH	1-450	204	49	GREEN	107	76	WHITE
SRH	1-625	283	46	BLACK	107	76	PURPLE
SRH	1-800	363	39	GRAY	107	76	YELLOW
SRH	1-1000	454	37	RED	107	76	YELLOW



SPECIFICATIONS:

- SPRING ELEMENTS AND BRACKETS ARE POWDER COATED
- LOAD PLATES ARE BRIGHT ZINC PLATED
- ISOLATION HANGERS HAVE A MINIMUM K_x/K_y RATIO OF 1.4
- SPRING ELEMENTS ARE SAFE AT SOLID LOADING
- HANGER BRACKETS WILL CARRY (5) TIMES OVERLOAD WITHOUT FAILURE
- ISOLATION HANGERS HAVE A TYPICAL OVERLOAD OF 50%
- HANGER BRACKETS WILL ALLOW 30° ROD MISALIGNMENT WITHOUT SHORT CIRCUITING
- "NO SHORT" STEP CAP



KINETICS NOISE CONTROL, INC
6300 IRELAN PL,
DUBLIN, OH 43017 USA
Ph: 614 889-0480, Fax: 614 889-0540
www.kineticsnoise.com

Model:
SRH
1-250/1000

By: JMJ
Date: 02/26/03
Revised: /

Drawing No:
S-03.37-12(M)