

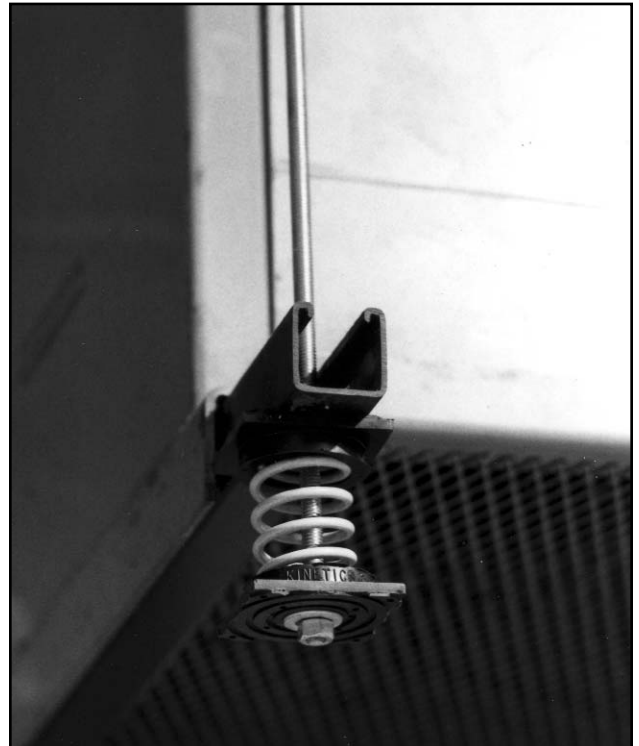
KINETICS™

1" and 2" Spring Isolators Model SHU

Description

Model SHU spring isolators provide an effective spring vibration isolator, with steel-reinforced molded neoprene top and bottom load caps, for incorporation into the suspension rods of trapeze-type mounting systems for mechanical equipment, piping, and ductwork systems.

Model SHU spring isolators incorporate a color-coded steel spring, which for most models tabulated meets all specifications for Kinetics spring isolators providing high horizontal stability and 50% overload capacity. All model SHU spring isolators include molded elastomer and steel load caps for a metal-to-metal break in the support system. Rated static deflections range from 0.55" to 1.79" (14mm - 45mm) for rated loads tabulated on the reverse side of this sheet.



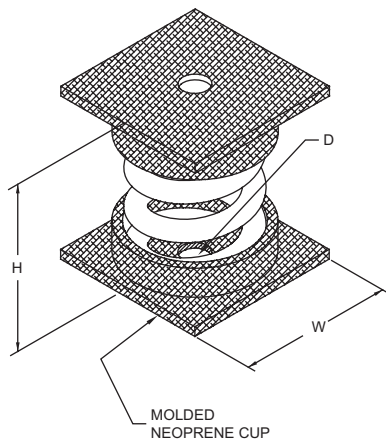
Application

Kinetics Model SHU spring isolators are used to isolate suspended sources of low frequency vibration, mounted on steel platform or trapeze systems in non-critical locations.

Model SHU spring isolators are typically used in threaded steel rod and trapeze or platform support systems to isolate vibration produced by in-line fans, cabinet fans, and piping and ductwork in close proximity to mechanical equipment.

Model SHU spring isolators are typically placed below a trapeze or platform supporting mechanical equipment. Threaded steel rods pass down through drilled oversized holes in the trapeze, through the Model SHU spring, and transfer equipment loads to the spring using nuts and washers threaded onto the suspension rod.

Hanger Type	Spring Color	Rated Capacity		Spring Free HT		Outside Dia.		H		W		D	
		lb	kg	in	mm	in	mm	in	mm	in	mm	in	mm
SHU-1-35	Blue	35	16	3.19	81	1.75	45	3.50	89	2.63	67	0.69	18
SHU-1-70	Green	70	32	3.19	81	1.75	45	3.50	89	2.63	67	0.69	18
SHU-1-120	Gray	120	54	3.19	81	1.75	45	3.50	89	2.63	67	0.69	18
SHU-1-220	Brown	220	100	3.19	81	1.75	45	3.50	89	2.63	67	0.69	18
SHU-1-370	Orange	370	168	3.19	81	1.75	45	3.50	89	2.63	67	0.69	18
SHU-1-500	Beige	500	227	3.19	81	1.75	45	3.50	89	2.63	67	0.69	18
SHU-1-600	Chrome	600	272	3.19	81	1.75	45	3.50	89	2.63	67	0.69	18
SHU-1-700	Bge/Wht	700	318	3.19	81	1.75	45	3.50	89	2.63	67	0.69	18
SHU-1-805	Chr/Wht	805	365	3.19	81	1.75	45	3.50	89	2.63	67	0.69	18
SHU-1-250	Blue	250	115	4.20	107	3.00	76	4.75	121	3.88	99	1.00	25
SHU-1-450	Green	450	205	4.20	107	3.00	76	4.75	121	3.88	99	1.00	25
SHU-1-625	Black	325	285	4.20	107	3.00	76	4.75	121	3.88	99	1.00	25
SHU-1-800	Gray	800	365	4.20	107	3.00	76	4.75	121	3.88	99	1.00	25
SHU-1-1000	Red	1000	455	4.20	107	3.00	76	4.75	121	3.88	99	1.00	25
SHU-1-1250	Brown	1250	565	4.20	107	3.00	76	4.75	121	3.88	99	1.00	25
SHU-1-1700	Orange	1700	770	4.20	107	3.00	76	4.75	121	3.88	99	1.00	25
SHU-1-2200	Org/Gry	2200	998	4.20	107	3.00	76	4.75	121	3.88	99	1.00	25
SHU-1-2465	Blue	2465	1180	4.20	107	3.00	76	4.75	121	3.88	99	1.00	25
SHU-1-2865	Blu/Gry	2865	1300	4.20	107	3.00	76	4.75	121	3.88	99	1.00	25
SHU-1-3500	Blu/Brm	3500	1588	4.20	107	3.00	76	4.75	121	3.88	99	1.00	25
SHU-2-100	Gray	100	45	5.75	146	3.50	89	6.50	165	4.38	111	1.00	25
SHU-2-250	Blue	250	115	5.75	146	3.50	89	6.50	165	4.38	111	1.00	25
SHU-2-500	Green	500	225	5.75	146	3.50	89	6.50	165	4.38	111	1.00	25
SHU-2-750	Black	750	340	5.75	146	3.50	89	6.50	165	4.38	111	1.00	25
SHU-2-995	Orange	995	450	5.75	146	3.50	89	6.50	165	4.38	111	1.00	25
SHU-2-1400	Org/Grm	1400	635	5.75	146	3.50	89	6.50	165	4.38	111	1.00	25
SHU-2-1600	Red	1600	727	5.75	146	3.50	89	6.50	165	4.38	111	1.00	25
SHU-2-1975	Red/Grm	1975	898	5.75	146	3.50	89	6.50	165	4.38	111	1.00	25



Specifications

Model SHU Spring Isolators shall include a steel spring vibration isolator and shall include molded neoprene and steel load caps to break metal-to-metal contact between supporting and supported members. The spring element shall be color coded for capacity and shall be epoxy powder coated, and shall have a 1000 hr rating when tested in accordance with ASTM B-117.

Model SHU spring isolators, used in suspension systems including trapeze supports for mechanical equipment, shall be incorporated into suspension rods in a manner that allows no metal-to-metal contact between suspension rods and suspended equipment. Spring isolators shall be Model SHU as manufactured by Kinetics.



United States 6300 Irelan Place P.O. Box 655 Dublin, Ohio 43017 Phone: 614-889-0480 Fax: 614-889-0540	Canada 1720 Meyerside Drive Mississauga, Ontario L5T 1A3 Phone: 905-670-4922 Fax: 905-670-1698
-----------------------------------------------------------------------------------------------------------------------------	----------------------------------------------------------------------------------------------------------------------

www.kineticsnoise.com
sales@kineticsnoise.com

Kinetics Noise Control, Inc. is continually upgrading the quality of our products. We reserve the right to make changes to this and all products without notice.