

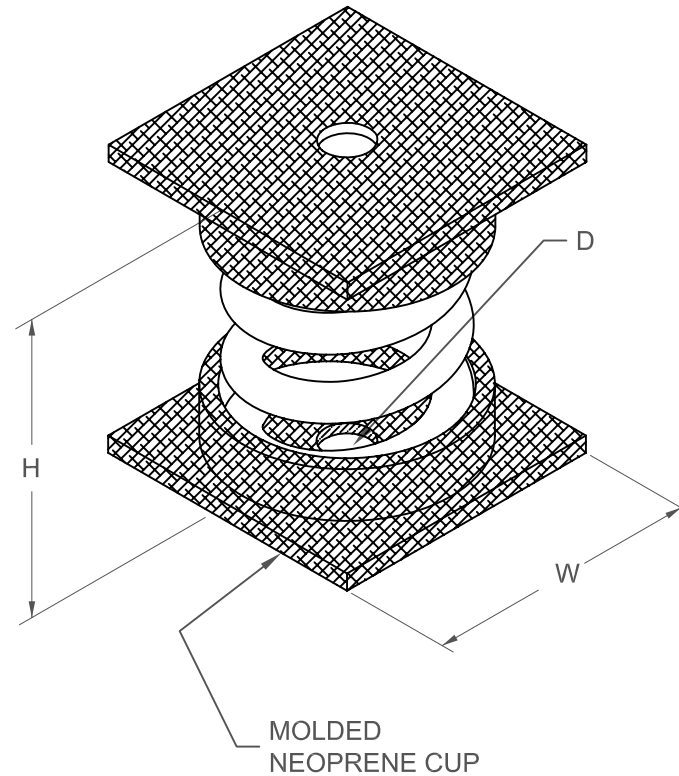
SHU 51mm DEFLECTION ISOLATOR

TYPE	H	W	D
2-100/1975	165	111	25

S-I UNITS (MM AND KG)

STANDARD RATINGS

TYPE	SIZE	COIL	COIL FREE HT	O.D.	COIL CAPACITY
SHU	2-100	GRAY	146	89	45
SHU	2-250	BLUE	146	89	115
SHU	2-500	GREEN	146	89	225
SHU	2-750	BLACK	146	89	340
SHU	2-995	ORANGE	146	89	450
SHU	2-1400	ORG/GRN	146	89	635
SHU	2-1600	RED	146	89	727
SHU	2-1975	RED/GRN	146	89	898



SPECIFICATIONS:

- SPRING ELEMENTS ARE POWDER COATED
- ISOLATORS HAVE A MINIMUM Kx/Ky RATIO OF 1.0
- ISOLATORS HAVE A TYPICAL OVERLOAD CAPACITY OF 50%
- SPRING ELEMENTS ARE SAFE AT SOLID LOADING
- NEOPRENE NOISE CAP CONTAINS AN EMBEDDED STEEL CUP



KINETICS NOISE CONTROL, INC
 6300 IRELAN PL,
 DUBLIN, OH 43017 USA
 Ph: 614 889-0480, Fax: 614 889-0540
www.kineticsnoise.com

Model:
SHU
2-100/1975

By: **JMJ**
 Date: **02/26/03**
 Revised: **/**

Drawing No:
S-01.21-61(M)