

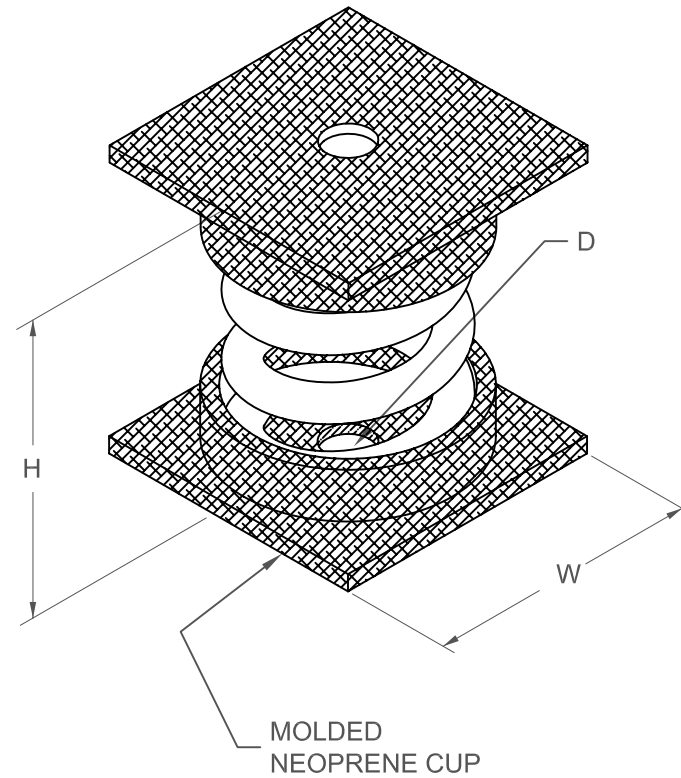
SHU 1" DEFLECTION ISOLATOR

TYPE	H	W	D
1-35/805	3.50	2.63	0.69

I-P UNITS (INCHES AND POUNDS)

STANDARD RATINGS

TYPE	SIZE	COIL	COIL FREE HT	O.D.	COIL CAPACITY
SHU	35A	BLUE	3.19	1.75	35
SHU	70A	GREEN	3.19	1.75	70
SHU	120A	GRAY	3.19	1.75	120
SHU	220A	BROWN	3.19	1.75	220
SHU	370A	ORANGE	3.19	1.75	370
SHU	500A	BEIGE	3.19	1.75	500
SHU	600A	CHROME	3.19	1.75	600
SHU	700A	BGE/WHT	3.19	1.75	700
SHU	805A	CHR/WHT	3.19	1.75	805



SPECIFICATIONS:

- SPRING ELEMENTS ARE POWDER COATED
- ISOLATORS HAVE A MINIMUM Kx/Ky RATIO OF 1.0
- ISOLATORS HAVE A TYPICAL OVERLOAD CAPACITY OF 50%
- SPRING ELEMENTS ARE SAFE AT SOLID LOADING
- NEOPRENE NOISE CAP CONTAINS AN EMBEDDED STEEL CUP



KINETICS NOISE CONTROL, INC
 6300 IRELAN PL,
 DUBLIN, OH 43017 USA
 Ph: 614 889-0480, Fax: 614 889-0540
www.kineticsnoise.com

Model:
SHU
35A/805A

By: **JMJ**
 Date: **02/26/03**
 Revised: **10/29/03 / JMJ**

Drawing No:
S-01.21-51