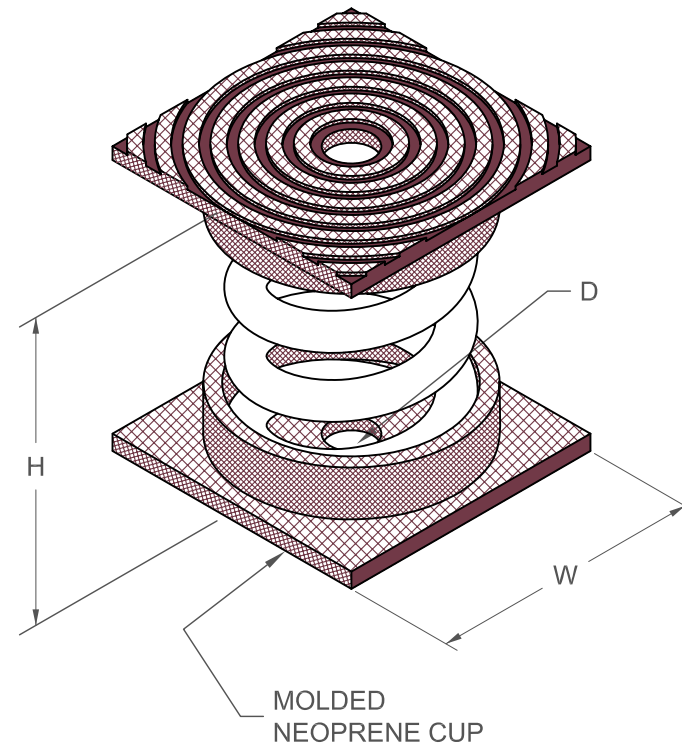


SHU 1" DEFLECTION ISOLATOR

IP UNITS (INCHES AND POUNDS)

TYPE	H	W	D
1-250/3500	4.95	3.88	1.00

STANDARD RATINGS		SPRING COIL					
TYPE	SIZE	COLOR		FREE		RATED	
		OUTER	INNER	HT.	O.D.	LOAD	DEFL.
SHU	1-250	BLUE		4.20	3.00	250	1.79
SHU	1-450	GREEN		4.20	3.00	450	1.54
SHU	1-625	BLACK		4.20	3.00	625	1.44
SHU	1-800	GRAY		4.20	3.00	800	1.31
SHU	1-1000	RED		4.20	3.00	1000	1.15
SHU	1-1250	BROWN		4.20	3.00	1250	1.09
SHU	1-1700	ORANGE		4.20	3.00	1700	0.95
SHU	1-2200	ORANGE	GRAY	4.20	3.00	2200	1.00
SHU	1-2465	BLUE		4.20	3.00	2465	1.00
SHU	1-2865	BLUE	GRAY	4.20	3.00	2865	1.00
SHU	1-3500	BLUE	BROWN	4.20	3.00	3500	1.00



SPECIFICATIONS:

- SPRING ELEMENTS ARE POWDER COATED.
- ISOLATORS HAVE A MINIMUM Kx/Ky RATIO OF 1.0.
- ISOLATORS HAVE A TYPICAL OVERLOAD CAPACITY OF 50%.
- SPRING ELEMENTS ARE SAFE AT SOLID LOADING.
- NEOPRENE NOISE CAP CONTAINS AN EMBEDDED STEEL CUP.



KINETICS NOISE CONTROL, INC
 6300 IRELAN PL,
 DUBLIN, OH 43017 USA
 Ph: 614 889-0480, Fax: 614 889-0540
 www.kineticsnoise.com

Model:
SHU
1-250/3500

By: **JMJ**
 Date: **02/26/03**
 Revised: **09/07/05 / BB**

Drawing No:
S-01.21-52