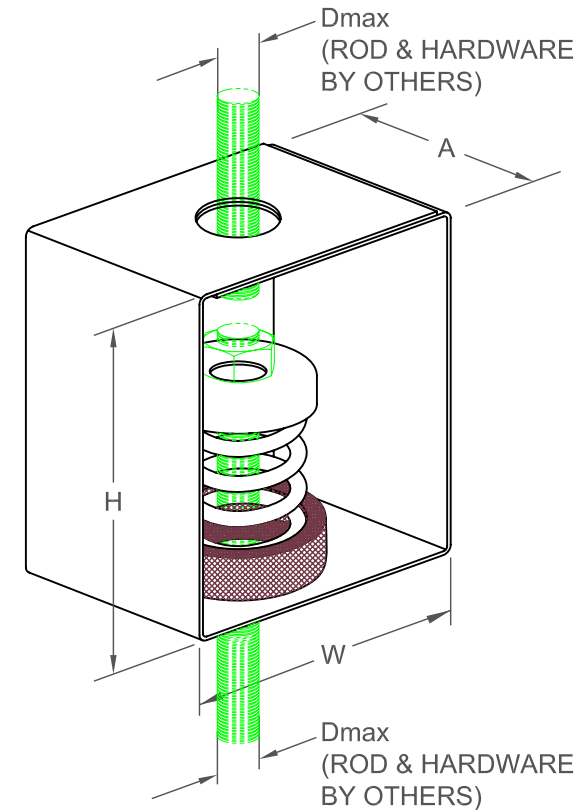


# SHAB 13 mm DEFLECTION ISOLATION HANGERS

S-I UNITS (mm AND kg)

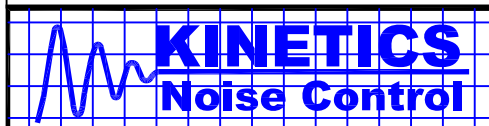
TYPE	H	W	A	Dmax
15/70	69	55	38	10

STANDARD RATINGS				SPRING COIL		
TYPE	SIZE	LOAD	DEFL.	COLOR	FREE HT.	O.D.
SHAB	15	7	12	BLUE	38	31
SHAB	30	14	14	GRAY	38	31
SHAB	50	23	12	SILVER	38	31
SHAB	70	32	11	GREEN	38	31



## SPECIFICATIONS:

- POWDER COATED SPRING ELEMENTS.
- BRACKETS AND HARDWARE ARE BRIGHT ZINC PLATED.
- ISOLATION HANGERS HAVE A TYPICAL OVERLOAD OF 50%.
- ISOLATION HANGERS HAVE A MINIMUM Kx/Ky RATIO OF 1.2.
- SPRING ELEMENTS ARE SAFE AT SOLID LOADING.
- HANGER BRACKETS WILL CARRY (5) TIMES OVERLOAD WITHOUT FAILURE.
- ISOLATION HANGERS HAVE A NEOPRENE BOTTOM SPRING CUP.



KINETICS NOISE CONTROL, INC  
 6300 IRELAN PL,  
 DUBLIN, OH 43017 USA  
 Ph: 614 889-0480, Fax: 614 889-0540  
[www.kineticsnoise.com](http://www.kineticsnoise.com)

Model:  
**SHAB  
 15/70**

By: **BB**  
 Date: **04/29/05**  
 Revised: **/**

Drawing No:  
**S-03.42-1A(M)**