

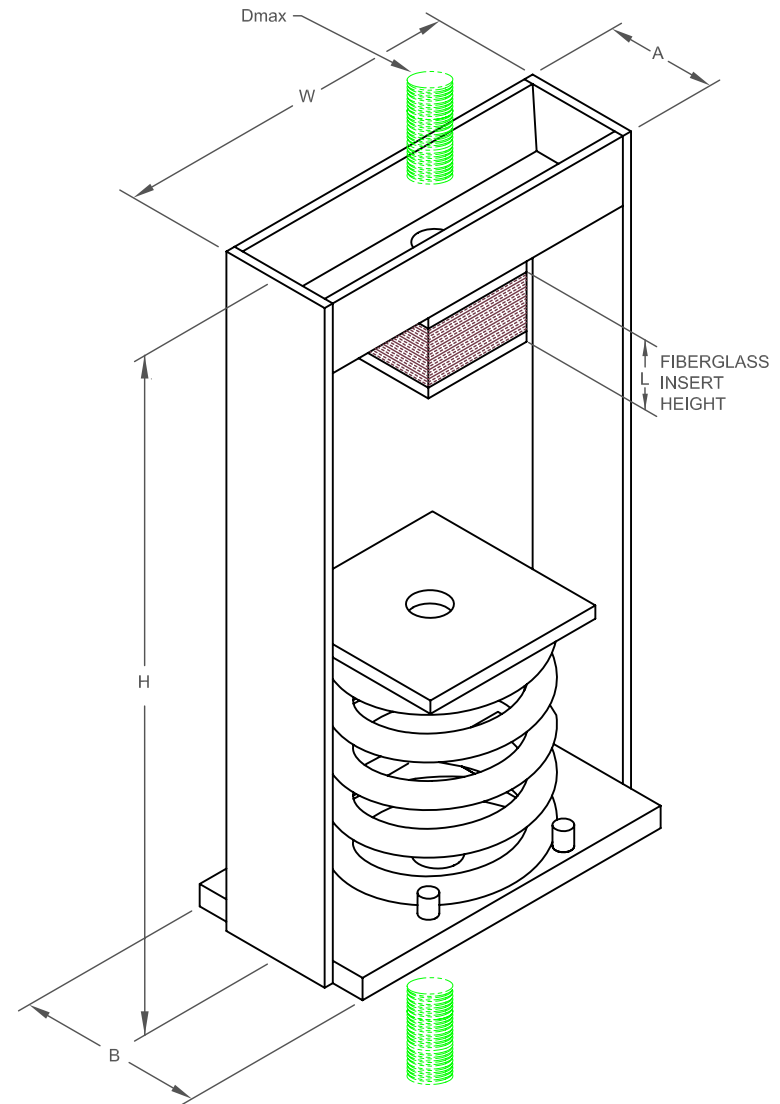
SFH 4" DEFLECTION ISOLATION HANGER

TYPE	L	H	W	A	B	Dmax
4-100/1600	2.66	16.00	9.38	4.00	6.00	1.13

I-P UNITS (INCHES AND POUNDS)

STANDARD RATINGS

TYPE	SIZE	COIL	COIL FREE HT	O.D.	RATED LOAD
SFH	4-100	GRAY	10.00	5.63	100
SFH	4-250	BLUE	10.00	5.63	250
SFH	4-500	GREEN	10.00	5.63	500
SFH	4-750	BLACK	10.00	5.63	750
SFH	4-1000	RED	10.00	5.63	1000
SFH	4-1250	BROWN	10.00	5.63	1250
SFH	4-1600	ORANGE	10.00	5.63	1600



SPECIFICATIONS:

- SPRING ELEMENTS AND BRACKETS ARE POWDER COATED
- LOAD PLATES ARE BRIGHT ZINC PLATED
- ISOLATION HANGERS HAVE A TYPICAL OVERLOAD OF 50%
- ISOLATION HANGERS HAVE A MINIMUM K_x/K_y RATIO OF 1.5
- SPRING ELEMENTS ARE SAFE AT SOLID LOADING
- HANGER BRACKETS WILL CARRY (5) TIMES OVERLOAD WITHOUT FAILURE
- HANGER BRACKETS WILL ALLOW 30° ROD MISALIGNMENT WITHOUT SHORT CIRCUITING



KINETICS NOISE CONTROL, INC
 6300 IRELAN PL,
 DUBLIN, OH 43017 USA
 Ph: 614 889-0480, Fax: 614 889-0540
 www.kineticsnoise.com

Model:
SFH
4-100/1600

By: **JMJ**
 Date: **10/28/03**
 Revised: **08/23/04 / BB**

Drawing No:
S-03.35-41