

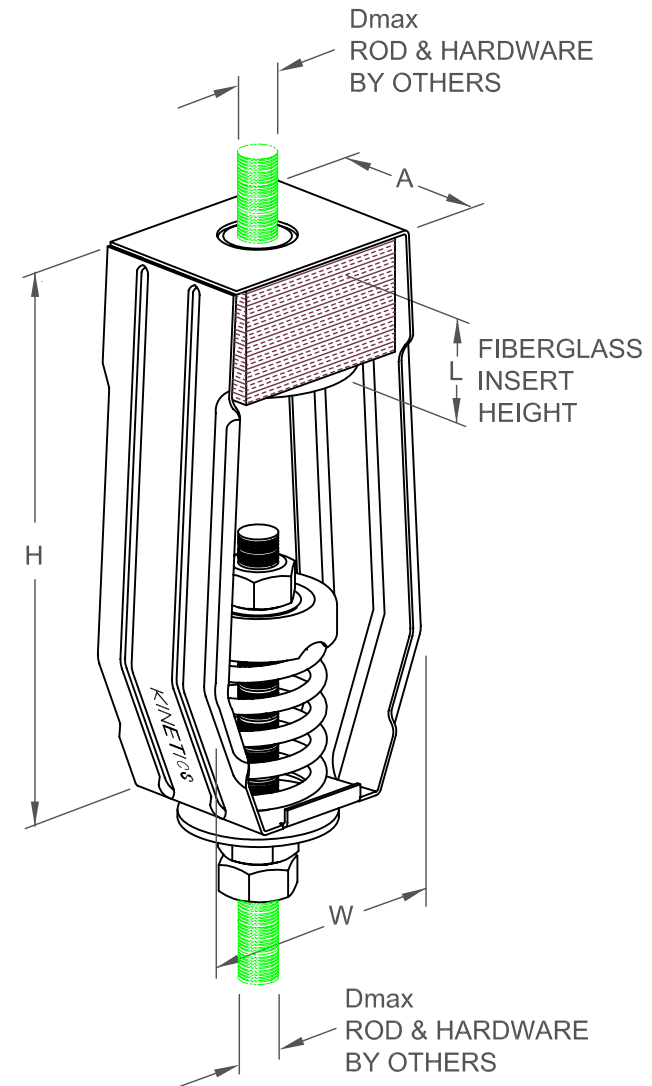
SFH 25mm DEFLECTION ISOLATION HANGER

TYPE	L	H	W	A	Dmax
1-35/370	29	187	94	57	13
1-500/805	32	187	94	57	16

S-I UNITS (MM AND KG)

STANDARD RATINGS

TYPE	SIZE	COIL	COIL FREE HT	O.D.	RATED LOAD
SFH	1-35	BLUE	81	44	16
SFH	1-70	GREEN	81	44	32
SFH	1-125	GRAY	81	44	55
SFH	1-245	BROWN	81	44	100
SFH	1-370	ORANGE	81	44	168
SFH	1-500	BEIGE	81	44	227
SFH	1-600	CHROME	81	44	273
* SFH	1-700	BGE/WHT	81	44	318
* SFH	1-805	CHR/WHT	81	44	366



SPECIFICATIONS:

- SPRING ELEMENTS ARE POWDER COATED, HOUSING IS PAINTED
- LOAD PLATES ARE BRIGHT ZINC PLATED
- ISOLATION HANGERS HAVE A TYPICAL OVERLOAD OF 50%
- ISOLATION HANGERS HAVE A MINIMUM K_x/K_y RATIO OF 1.0
- SPRING ELEMENTS ARE SAFE AT SOLID LOADING
- HANGER BRACKETS WILL CARRY (5) TIMES OVERLOAD WITHOUT FAILURE
- HANGER BRACKETS WILL ALLOW 30° ROD MISALIGNMENT WITHOUT SHORT CIRCUITING EXCEPT AS NOTED *
- ISOLATION HANGERS MARKED * HAVE A NEOPRENE BOTTOM SPRING CAP WITH GROMMET
- "NO SHORT" STEP CAP



KINETICS NOISE CONTROL, INC
 6300 IRELAN PL,
 DUBLIN, OH 43017 USA
 Ph: 614 889-0480, Fax: 614 889-0540
 www.kineticsnoise.com

Model:
SFH
1-35/805

By: **JMJ**
 Date: **11/3/03**
 Revised: **8/23/04 / BB**

Drawing No:
S-03.35-11(M)