

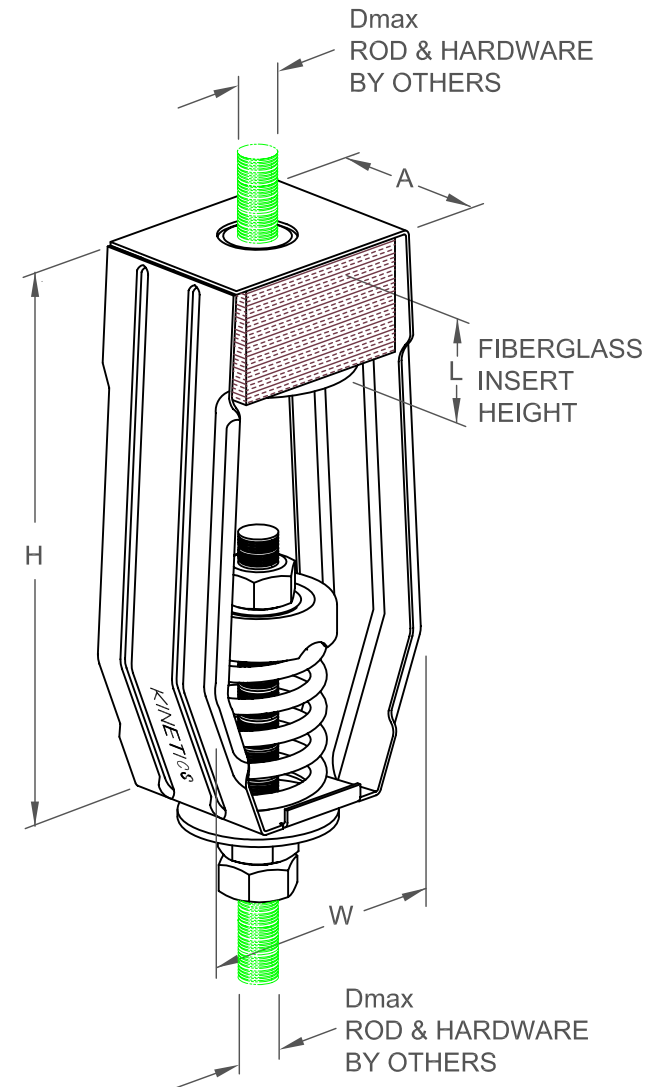
# SFH 1" DEFLECTION ISOLATION HANGER

TYPE	L	H	W	A	Dmax
1-250/1000	1.50	8.59	5.58	3.63	1.00

I-P UNITS (INCHES AND POUNDS)

## STANDARD RATINGS

TYPE	SIZE	COIL	COIL FREE HT	O.D.	RATED LOAD
SFH	1-250	BLUE	4.20	3.00	250
SFH	1-450	GREEN	4.20	3.00	450
SFH	1-625	BLACK	4.20	3.00	625
SFH	1-800	GRAY	4.20	3.00	800
SFH	1-1000	RED	4.20	3.00	1000



## SPECIFICATIONS:

- SPRING ELEMENTS AND BRACKETS ARE POWDER COATED
- LOAD PLATES ARE BRIGHT ZINC PLATED
- ISOLATION HANGERS HAVE A TYPICAL OVERLOAD OF 50%
- ISOLATION HANGERS HAVE A MINIMUM  $K_x/K_y$  RATIO OF 1.4
- SPRING ELEMENTS ARE SAFE AT SOLID LOADING
- HANGER BRACKETS WILL CARRY (5) TIMES OVERLOAD WITHOUT FAILURE
- HANGER BRACKETS WILL ALLOW 30° ROD MISALIGNMENT WITHOUT SHORT CIRCUITING
- "NO SHORT" STEP CAP



KINETICS NOISE CONTROL, INC  
 6300 IRELAN PL,  
 DUBLIN, OH 43017 USA  
 Ph: 614 889-0480, Fax: 614 889-0540  
 www.kineticsnoise.com

Model:  
**SFH**  
 1-250/1000

By: JMJ  
 Date: 10/24/03  
 Revised: 08/23/04 / BB

Drawing No:  
**S-03.35-12**