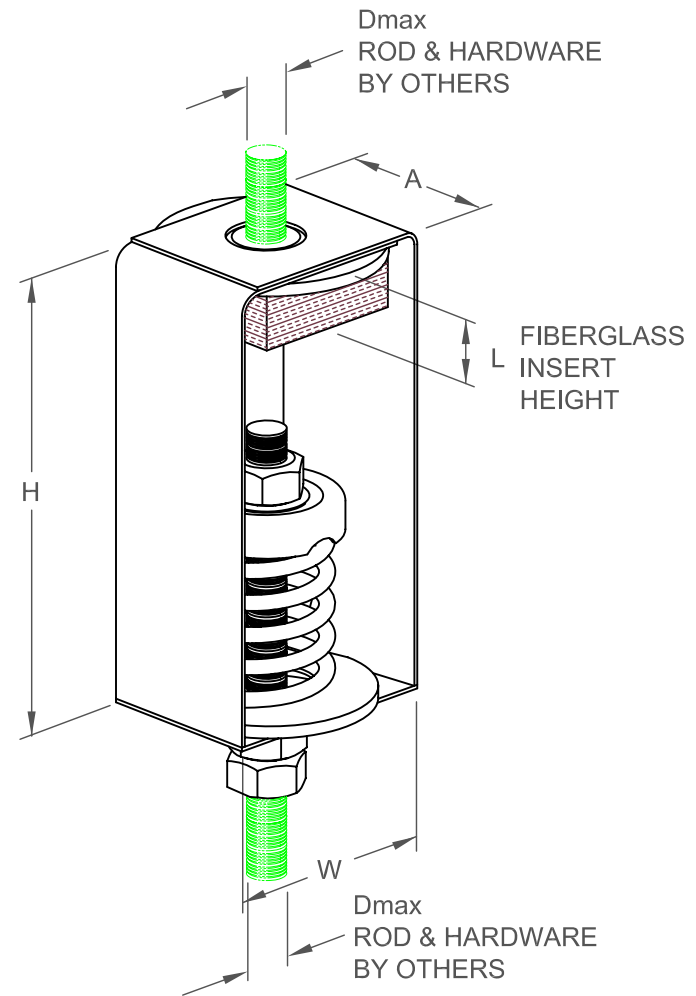


SFH 25mm DEFLECTION ISOLATION HANGER

TYPE	L	H	W	A	Dmax
1-2200/3500	51	241	127	121	25

S-I UNITS (MM AND KG)

STANDARD RATINGS		COIL	COIL FREE HT	O.D.	RATED LOAD
TYPE	SIZE				
SFH	1-2200	ORG/GRY	107	76	1000
SFH	1-2465	BLUE	107	76	1120
SFH	1-2865	BLU/GRY	107	76	1302
SFH	1-3500	BLU/BRN	107	76	1591



SPECIFICATIONS:

- SPRING ELEMENTS AND BRACKETS ARE POWDER COATED
- LOAD PLATES ARE BRIGHT ZINC PLATED
- ISOLATION HANGERS HAVE A TYPICAL OVERLOAD OF 50%
- ISOLATION HANGERS HAVE A MINIMUM K_x/K_y RATIO OF 1.0
- SPRING ELEMENTS ARE SAFE AT SOLID LOADING
- HANGER BRACKETS WILL CARRY (5) TIMES OVERLOAD WITHOUT FAILURE
- HANGER BRACKETS WILL ALLOW 30° ROD MISALIGNMENT WITHOUT SHORT CIRCUITING
- "NO SHORT" STEP CAP



KINETICS NOISE CONTROL, INC
 6300 IRELAN PL,
 DUBLIN, OH 43017 USA
 Ph: 614 889-0480, Fax: 614 889-0540
www.kineticsnoise.com

Model:
SFH
 1-2200/3500

By: JMJ
 Date: 10/24/03
 Revised: 08/23/04 / BB

Drawing No:
S-03.35-14(M)