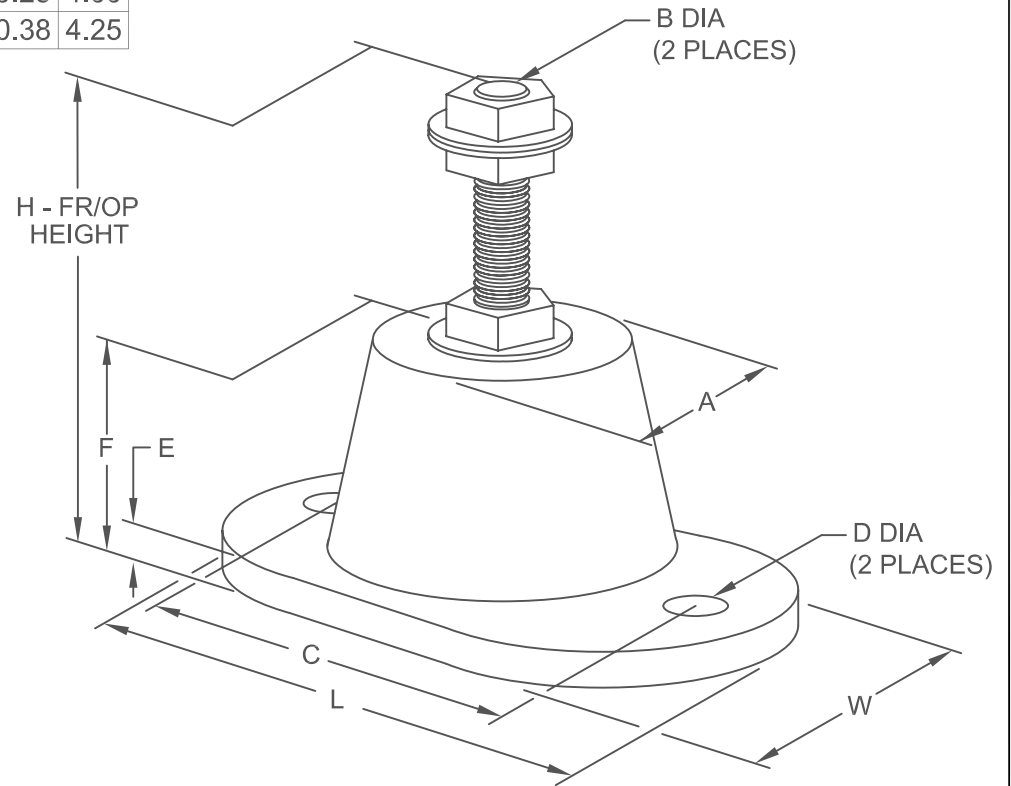


RD MOUNT W/ LEVELING BOLT IP UNITS (INCHES AND POUNDS)

TYPE	L	W	A	B	C	D	E	H
RDA-55/125	3.19	1.81	1.25	0.31	2.38	0.34	0.19	2.63
RDB-120/375	3.88	2.38	1.75	0.38	3.00	0.34	0.25	3.00
RDC-250/1100	5.50	3.25	2.50	0.50	4.13	0.56	0.25	4.00
RDD-2250/4000	6.25	4.63	3.75	0.50	5.00	0.56	0.38	4.25

STANDARD RATINGS

TYPE	SIZE	COLOR	RATED	
			LOAD	DEFL.
RDA	55	YELLOW	55	0.40
RDA	125	BLUE	125	0.40
RDB	120	ORANGE	120	0.50
RDB	220	GREEN	220	0.50
RDB	375	BLUE	375	0.50
RDC	250	YELLOW	250	0.50
RDC	600	BLUE	600	0.50
RDC	1100	WHITE	1100	0.50
* RDD	2250	RED	2250	0.50
* RDD	3000	GREEN	3000	0.50
* RDD	4000	GRAY	4000	0.50



NOTES:

- ITEMS MARKED (*) HAVE RECTANGULAR BASE PLATE



KINETICS NOISE CONTROL, INC
6300 IRELAN PL,
DUBLIN, OH 43017 USA
Ph: 614 889-0480, Fax: 614 889-0540
www.kineticsnoise.com

Model:
**RD
MOUNT**

By: JMJ
Date: 06/6/03
Revised: 12/15/03 / BB

Drawing No:
S-02.05-12