

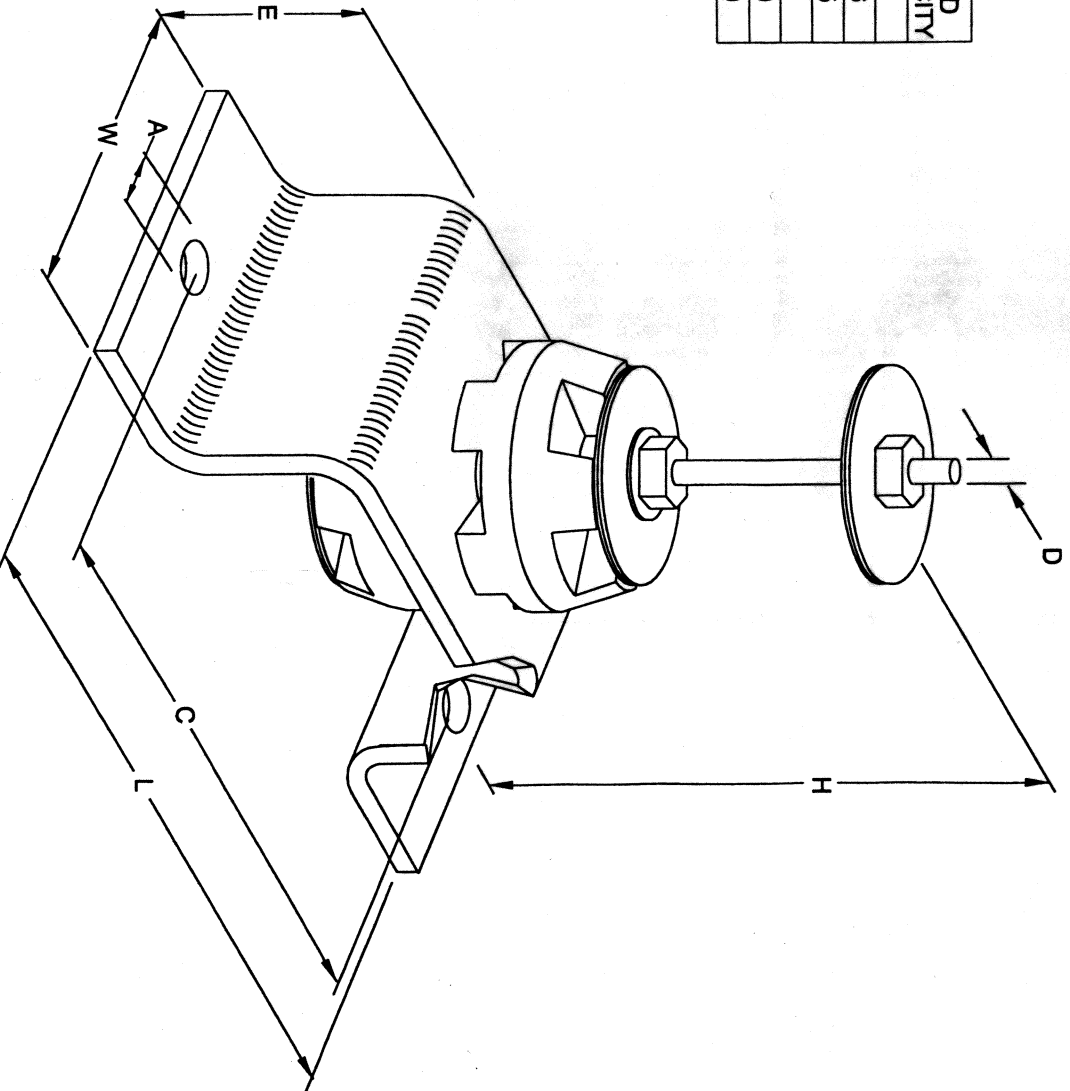
PSB WALL RESTRAINT

TYPE	H	L	W	A	C	D	E
175/2000	235	165	76	14	130	10	70

S-I UNITS (MM AND KG)

STANDARD RATINGS

TYPE	SIZE	INSERT	DURO METER	LOAD CAPACITY
PSB	175	RED	40	80
PSB	300	GREEN	50	136
PSB	450	WHITE	60	205
PSB	750	PURPLE	70	341
PSB	1100	YELLOW	80	500
PSB	2000	PINK	90	909



SPECIFICATIONS:

- ISOLATORS ARE DESIGNED TO LIMIT WALL MOTION
- ISOLATORS CAN BE BOLTED TOP AND BOTTOM
- ALL HARDWARE TO BE ZINC PLATED
- BASE BRACKET IS ZINC PLATED



Member
VISCAM
Viscoseal Division of Viscoseal Corporation

KINETICS NOISE CONTROL, INC
6300 IRELAND PL.
DUBLIN, OH 43017 USA
Ph: 614 889-0480, Fax: 614 889-0540
www.kineticsnoise.com

Model:
PSB
175-2000

By: PWM
Date: 07/11/03
Revised: /

Drawing No:
S-02.07-11(m)