

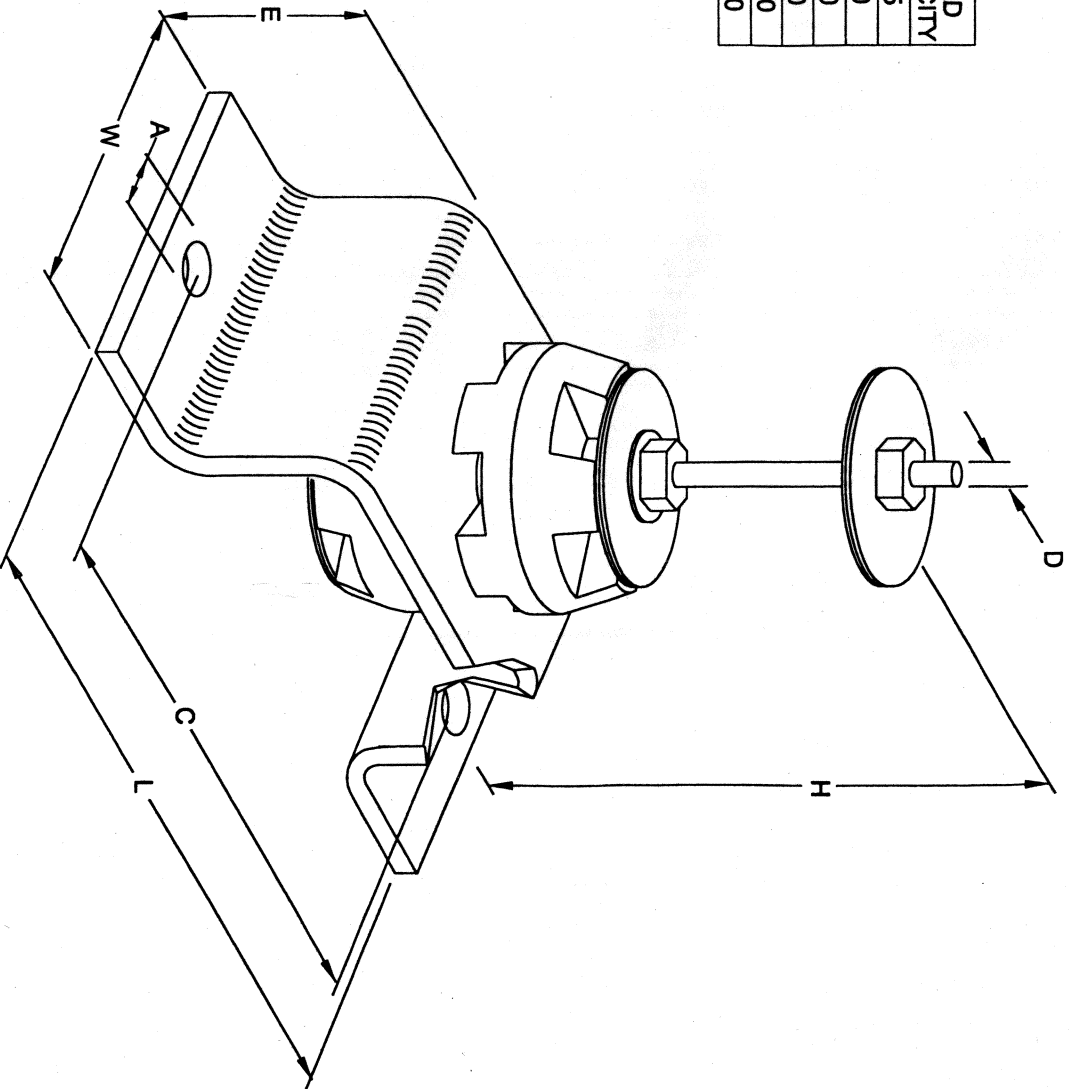
PSB WALL RESTRAINT

| TYPE | H | L | W | A | C | D | E |
|----------|------|------|------|------|------|------|------|
| 175/2000 | 9.25 | 6.50 | 3.00 | 0.56 | 5.12 | 0.38 | 2.75 |

I-P UNITS (INCHES AND POUNDS)

| STANDARD RATINGS | | INSERT | DURO METER | LOAD CAPACITY |
|------------------|------|--------|------------|---------------|
| TYPE | SIZE | | | |
| PSB | 175 | RED | 40 | 175 |
| PSB | 300 | GREEN | 50 | 300 |
| PSB | 450 | WHITE | 60 | 450 |
| PSB | 750 | PURPLE | 70 | 750 |
| PSB | 1100 | YELLOW | 80 | 1100 |
| PSB | 2000 | PINK | 90 | 2000 |

- SPECIFICATIONS:**
- ISOLATORS ARE DESIGNED TO LIMIT WALL MOTION
 - ISOLATORS CAN BE BOLTED TOP AND BOTTOM
 - ALL HARDWARE TO BE ZINC PLATED
 - BASE BRACKET IS ZINC PLATED



KINETICS
Noise Control

Member
VISCOM
Visualisation of Sound Control

KINETICS NOISE CONTROL, INC
6300 IRELAN PL,
DUBLIN, OH 43017 USA
Ph: 614 889-0480, Fax: 614 889-0540
www.kineticsnoise.com

Model: **PSB**
175-2000

By: **PWM**
Date: 07/11/03
Revised: /

Drawing No: **S-02.07-11**