

## FMS 2" SPRING COIL ASSEMBLY

NOTE: FMS RESTRAINT SHOWN IS NOT TO SCALE. ACTUAL SIZE AND SHAPE MAY VARY. SEE CORRESPONDING FMS RESTRAINT SUBMITTAL FOR ACTUAL DIMENSIONS.

TYPE	L	W	A	H	Z
2-9750/13500	17.50	7.00	8.17	TABLE 2	TABLE 2

MODEL	RATED LOAD (LBS)	RATED DEFLECTION (IN)	EFFECTIVE SPRING RATE (LB/IN)	SPRING COLOR OUTER/INNER
2-9750	9750	2.00	9750	BLU/BLK
2-10500	10500	2.00	10500	BLU/ORG
2-11700	11700	2.00	11700	BLU/ORG/GRN
2-12300	12300	2.00	12300	BLU/RED
2-13500	13500	2.00	13500	BLU/RED/GRN

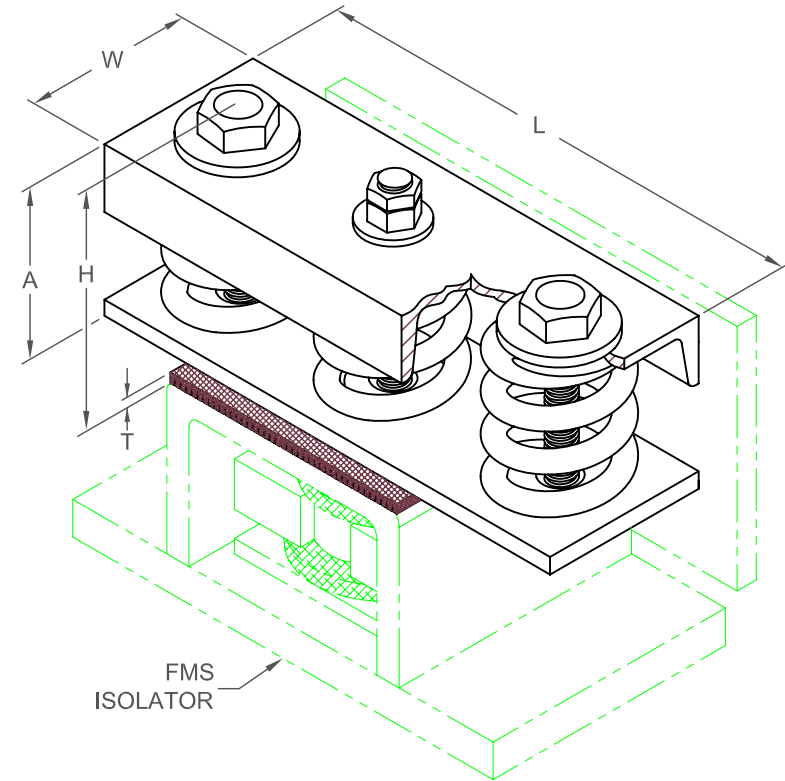


TABLE 2

TYPE	H	Z
FMSB	7.43	0.38
FMSC	8.09	0.75
FMSD	8.09	0.75
FMSE	8.09	0.75

### SPECIFICATIONS:

- FREE STANDING COIL SPRING ISOLATOR
- POWDER COATED SPRING ELEMENT
- OTHER METALLIC COMPONENTS BRIGHT ZINC PLATED
- MINIMUM OVERLOAD OF 50%.
- MINIMUM Kx/Ky RATIO OF 1.0.
- ALL ELEMENTS SAFE AT SOLID LOADING.
- ALL THREADED MEMBERS ARE AMERICAN STANDARD



KINETICS NOISE CONTROL, INC  
6300 IRELAN PL,  
DUBLIN, OH 43017 USA  
Ph: 614 889-0480, Fax: 614 889-0540  
www.kineticsnoise.com

Model:  
**FMS-2-  
9750/13500**

By: JMJ  
Date: 10/14/03  
Revised: /

Drawing No:  
**S-01.40-24**