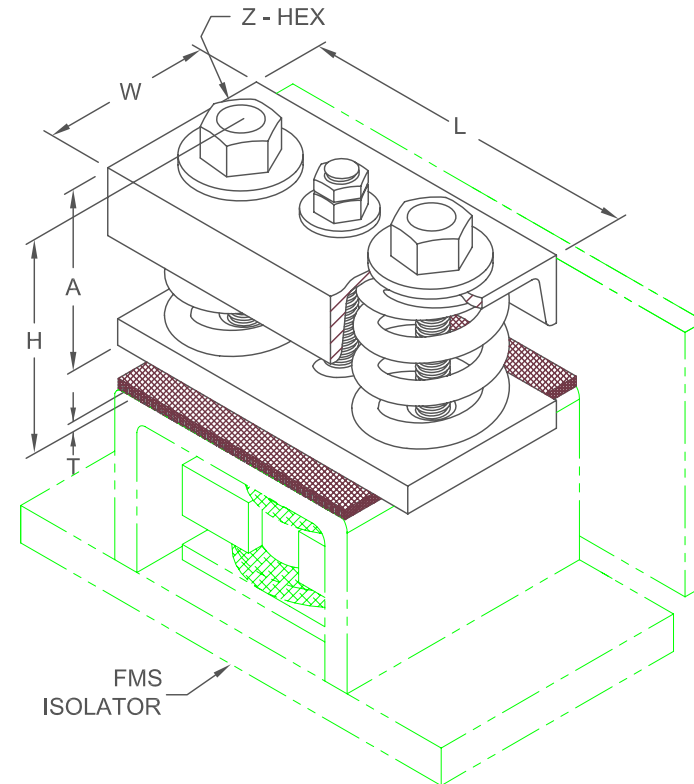


FMS 2" SPRING COIL ASSEMBLY

NOTE: FMS RESTRAINT SHOWN IS NOT TO SCALE. ACTUAL SIZE AND SHAPE MAY VARY. SEE CORRESPONDING FMS RESTRAINT SUBMITTAL FOR ACTUAL DIMENSIONS.

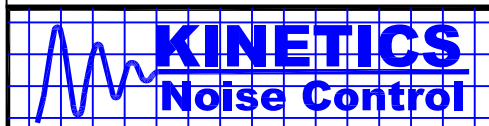
TYPE	L	W	A	H	T	Z
2-5000/9000	13.38	7.25	8.17	9.85	0.22	2.25

MODEL	RATED LOAD (LBS)	RATED DEFLECTION (IN)	EFFECTIVE SPRING RATE (LB/IN)	SPRING COLOR OUTER/MIDDLE/INNER	APPLICABLE MODELS
2-5000	5000	2.00	2500.00	BLUE	C/D/E
2-5500	5500	2.00	2750.00	ORANGE/BLACK	C/D/E
2-6000	6000	2.00	3000.00	BLUE/GREEN	C/D/E
2-7200	7200	2.00	3600.00	ORANGE/RED	D/E
2-9000	9000	2.00	4500.00	BLUE/RED/GREEN	D/E



SPECIFICATIONS:

- FREE STANDING COIL SPRING ISOLATOR
- POWDER COATED SPRING ELEMENT
- OTHER METALLIC COMPONENTS BRIGHT ZINC PLATED
- MINIMUM OVERLOAD OF 50%.
- MINIMUM Kx/Ky RATIO OF 1.0.
- ALL ELEMENTS SAFE AT SOLID LOADING.
- ALL THREADED MEMBERS ARE AMERICAN STANDARD



KINETICS NOISE CONTROL, INC
6300 IRELAN PL.,
DUBLIN, OH 43017 USA
Ph: 614 889-0480, Fax: 614 889-0540
www.kineticsnoise.com

Model:
**FMS-2-
5000/9000**

By: **JMJ**
Date: **10/21/03**
Revised: **08/31/05 / BB**

Drawing No:
S-01.40-23