

FMS 1" SPRING COIL ASSEMBLY

NOTE: FMS RESTRAINT SHOWN IS NOT TO SCALE. ACTUAL SIZE AND SHAPE MAY VARY. SEE CORRESPONDING FMS RESTRAINT SUBMITTAL FOR ACTUAL DIMENSIONS.

| TYPE | L | W | A | H | T | Z |
|--------------|-------|------|------|---------|------|---------|
| 1-3750/10500 | 10.63 | 4.00 | 5.27 | TABLE 2 | 0.22 | TABLE 2 |

| MODEL | RATED LOAD (LBS) | RATED DEFLECTION (IN) | EFFECTIVE SPRING RATE (LB/IN) | SPRING COLOR OUTER/INNER |
|---------|------------------|-----------------------|-------------------------------|--------------------------|
| 1-3750 | 3750 | 1.09 | 3440.4 | BROWN |
| 1-5100 | 5100 | 0.95 | 5368.5 | ORANGE |
| 1-6300 | 6300 | 0.95 | 6568.5 | ORANGE/GRAY |
| 1-7395 | 7395 | 1.00 | 7395.0 | BLUE |
| 1-8595 | 8595 | 1.00 | 8595.0 | BLUE/GRAY |
| 1-10500 | 10500 | 1.00 | 10500.0 | BLUE/BROWN |

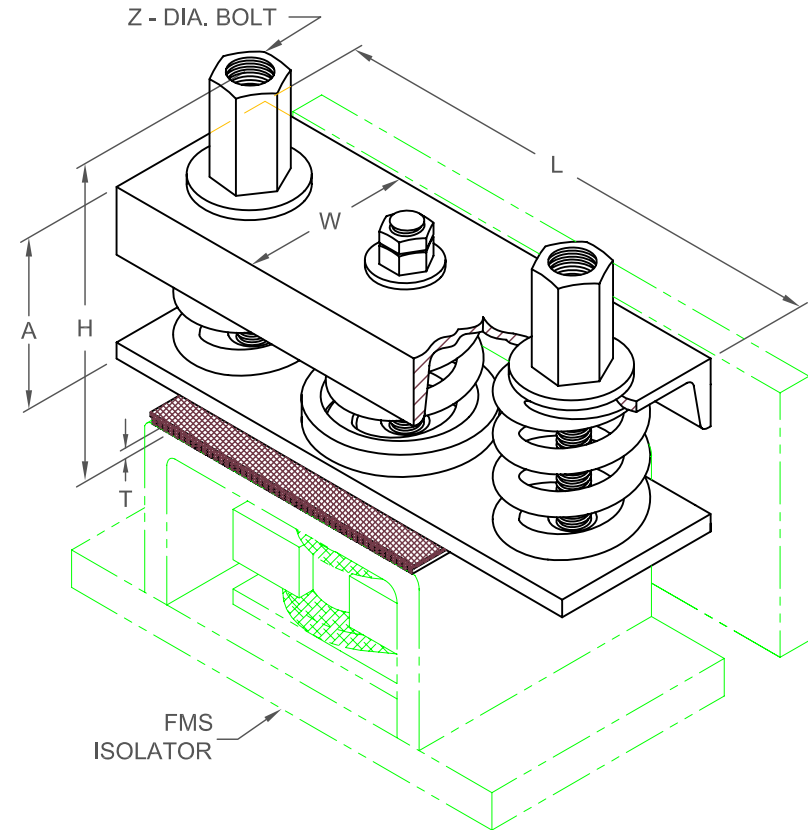


TABLE 2

| TYPE | H | Z |
|------|------|------|
| FMSB | 7.43 | 0.38 |
| FMSC | 8.09 | 0.75 |
| FMSD | 8.09 | 0.75 |
| FMSE | 8.09 | 0.75 |

SPECIFICATIONS:

- FREE STANDING COIL SPRING ISOLATOR
- POWDER COATED SPRING ELEMENT
- OTHER METALLIC COMPONENTS BRIGHT ZINC PLATED
- MINIMUM OVERLOAD OF 50%.
- MINIMUM Kx/Ky RATIO OF 1.0.
- ALL ELEMENTS SAFE AT SOLID LOADING.
- ALL THREADED MEMBERS ARE AMERICAN STANDARD



KINETICS NOISE CONTROL, INC
 6300 IRELAN PL,
 DUBLIN, OH 43017 USA
 Ph: 614 889-0480, Fax: 614 889-0540
 www.kineticsnoise.com

Model:
**FMS-1-
 3750/10500**

By: **JMJ**
 Date: **10/21/03**
 Revised: **/**

Drawing No:
S-01.40-14