

FMS 1" SPRING COIL ASSEMBLY

NOTE: FMS RESTRAINT SHOWN IS NOT TO SCALE. ACTUAL SIZE AND SHAPE MAY VARY. SEE CORRESPONDING FMS RESTRAINT SUBMITTAL FOR ACTUAL DIMENSIONS.

| TYPE | W | T | H | Z |
|----------|------|------|---------|---------|
| 1-35/805 | 2.63 | 0.25 | TABLE 2 | TABLE 2 |

| MODEL | RATED LOAD (LBS) | RATED DEFLECTION (IN) | EFFECTIVE SPRING RATE (LB/IN) | SPRING COLOR OUTER/INNER |
|-------|------------------|-----------------------|-------------------------------|--------------------------|
| 1-35 | 35 | 1.52 | 23.0 | BLUE |
| 1-70 | 70 | 1.36 | 51.5 | GREEN |
| 1-120 | 120 | 1.18 | 101.7 | GRAY |
| 1-220 | 220 | 1.07 | 205.6 | BROWN |
| 1-370 | 370 | 0.96 | 385.4 | ORANGE |
| 1-500 | 500 | 1.00 | 500.00 | BEIGE |
| 1-600 | 600 | 1.00 | 600.00 | CHROME |
| 1-700 | 700 | 1.00 | 700.00 | BEIGE/WHITE |
| 1-805 | 800 | 1.00 | 800.00 | CHROME/WHITE |

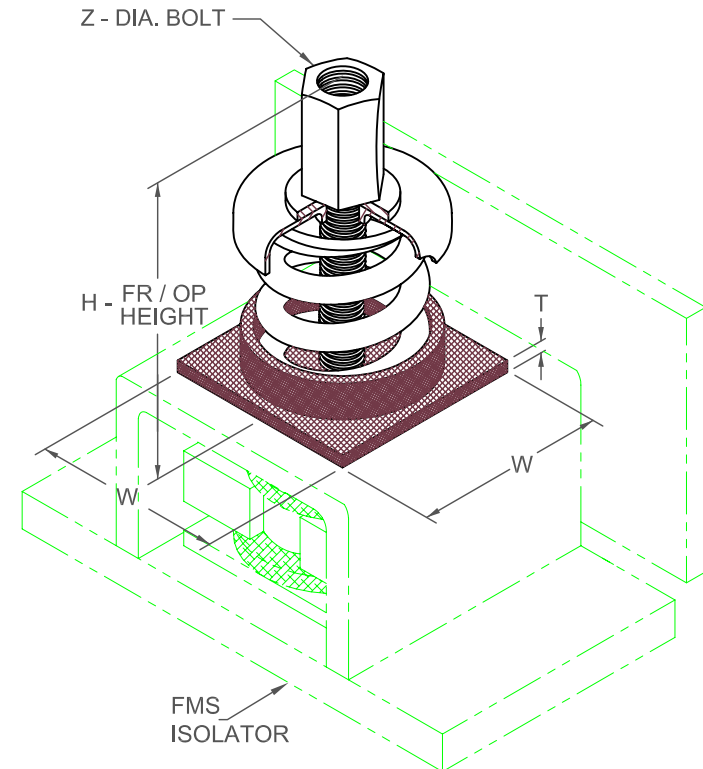


TABLE 2

| TYPE | H | Z |
|------|------|------|
| FMSB | 5.38 | 0.38 |

SPECIFICATIONS:

- FREE STANDING COIL SPRING ISOLATOR
- POWDER COATED SPRING ELEMENT
- OTHER METALLIC COMPONENTS BRIGHT ZINC PLATED
- MINIMUM OVERLOAD OF 50%.
- MINIMUM Kx/Ky RATIO OF 1.0.
- ALL ELEMENTS SAFE AT SOLID LOADING.
- ALL THREADED MEMBERS ARE AMERICAN STANDARD



KINETICS NOISE CONTROL, INC
 6300 IRELAN PL,
 DUBLIN, OH 43017 USA
 Ph: 614 889-0480, Fax: 614 889-0540
 www.kineticsnoise.com

Model:
FMS-1-35/805

By: **JMJ**
 Date: **10/21/03**
 Revised: **/**

Drawing No:
S-01.40-11