

# FMS 1" SPRING COIL ASSEMBLY

NOTE: FMS RESTRAINT SHOWN IS NOT TO SCALE. ACTUAL SIZE AND SHAPE MAY VARY. SEE CORRESPONDING FMS RESTRAINT SUBMITTAL FOR ACTUAL DIMENSIONS.

TYPE	L	W	A	H	T	Z
1-3400/7000	8.50	4.00	5.25	TABLE 2	0.22	TABLE 2

MODEL	RATED LOAD (LBS)	RATED DEFLECTION (IN)	EFFECTIVE SPRING RATE (LB/IN)	SPRING COLOR OUTER/INNER
1-3400	3400	0.95	3579.0	ORANGE
1-4200	4160	0.95	4379.0	ORANGE/GRAY
1-4930	4930	1.00	4930.0	BLUE
1-5730	5730	1.00	5730.0	BLUE/GRAY
1-7000	7000	1.00	7000.0	BLUE/BROWN

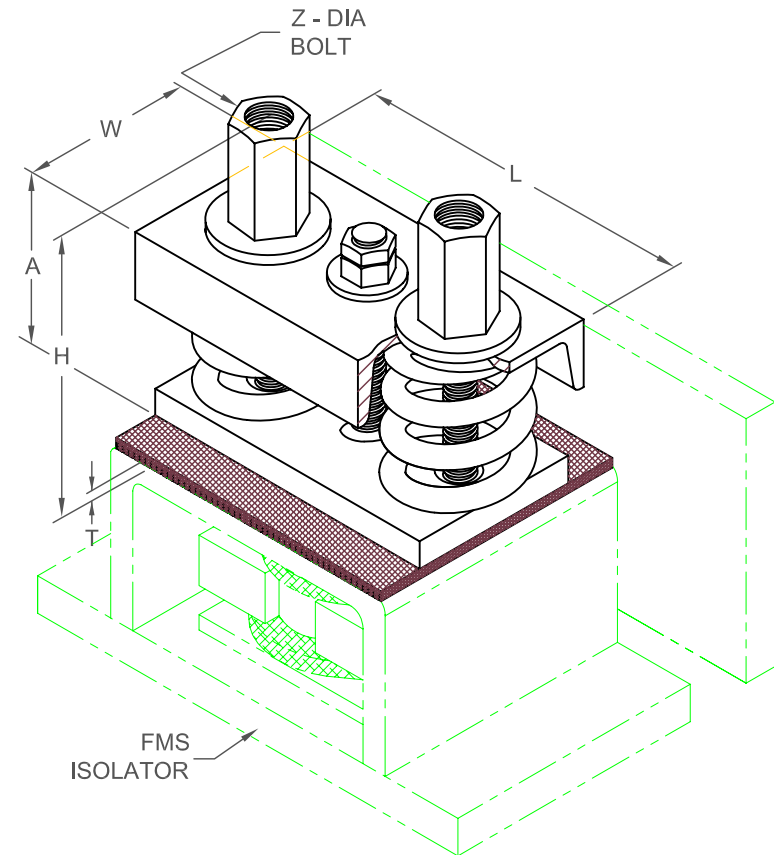


TABLE 2

TYPE	H	Z
FMSC	7.89	0.75
FMSD	7.89	0.75
FMSE	7.89	0.75

**SPECIFICATIONS:**

- FREE STANDING COIL SPRING ISOLATOR
- POWDER COATED SPRING ELEMENT
- OTHER METALLIC COMPONENTS BRIGHT ZINC PLATED
- MINIMUM OVERLOAD OF 50%.
- MINIMUM Kx/Ky RATIO OF 1.0.
- ALL ELEMENTS SAFE AT SOLID LOADING.
- ALL THREADED MEMBERS ARE AMERICAN STANDARD



KINETICS NOISE CONTROL, INC  
 6300 IRELAN PL,  
 DUBLIN, OH 43017 USA  
 Ph: 614 889-0480, Fax: 614 889-0540  
 www.kineticsnoise.com

Model:  
**FMS-1-3400/7000**

By: **JMJ**  
 Date: **10/21/03**  
 Revised: **/**

Drawing No:  
**S-01.40-13**