

FLSS 102 mm DEFLECTION SEISMIC ISOLATOR

S-I UNITS (mm AND kg)

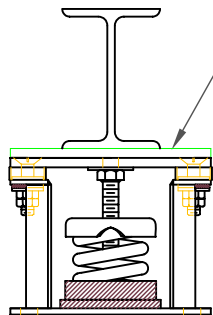
TYPE	L	W	T	A	B	D	E	F	d	H
4-5500/11600	660	203	13	25	25	17	140	140	17	387

STANDARD RATINGS		SPRING COIL					
TYPE	SIZE	COLOR		FREE		RATED	
		OUTER	INNER	HT.	O.D.	LOAD	DEFL.
FLSS	4-5500	BEIGE	GREEN	292	203	2495	102
FLSS	4-6000	BEIGE	BLACK	292	203	2722	102
FLSS	4-6500	BEIGE	RED	292	203	2948	102
FLSS	4-7000	BEIGE	BROWN	292	203	3175	102
FLSS	4-7700	BEIGE	ORANGE	292	203	3493	102
FLSS	4-8400	CHROME		292	203	3810	102
FLSS	4-8900	CHROME	BLUE	292	203	4037	102
FLSS	4-9400	CHROME	GREEN	292	203	4264	102
FLSS	4-9900	CHROME	BLACK	292	203	4491	102
FLSS	4-10400	CHROME	RED	292	203	4717	102
FLSS	4-10900	CHROME	BROWN	292	203	4944	102
FLSS	4-11600	CHROME	ORANGE	292	203	5262	102

4-5500/11600 REQUIRES 016 DIA. x 102 MIN. EMBED ANCHORS IN CONCRETE

(ALLOWABLE LOADS BASED ON 21 MPa MIN CONCRETE)

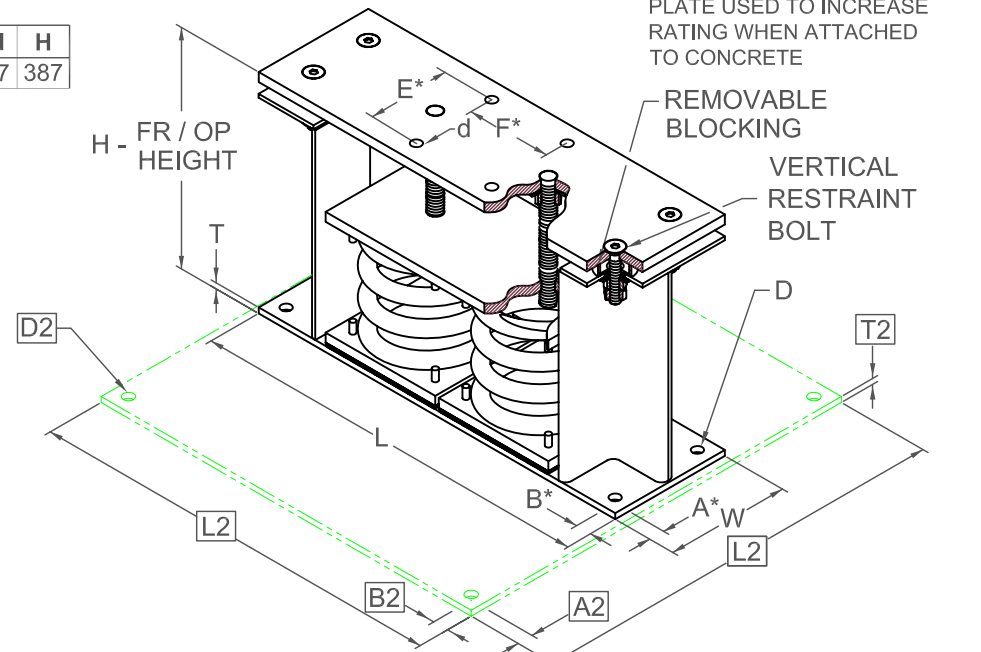
4-5500/11600 ANCHOR BOLT TORQUE - 102 N-M, PULL TEST - 1211 kg



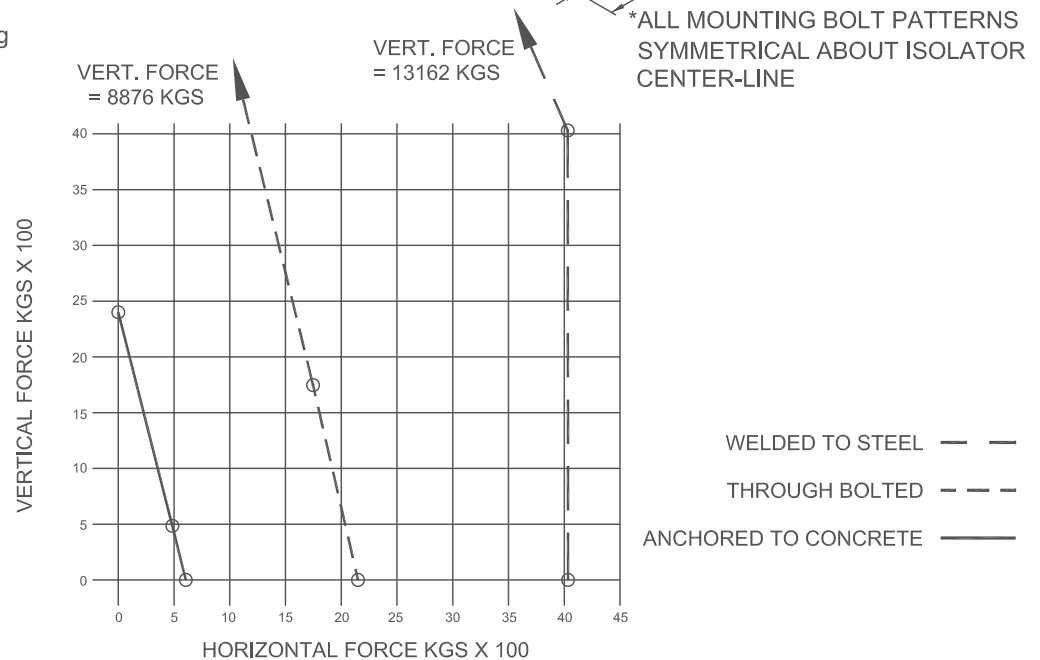
IF EQUIP SUPPORT STEEL IS 90° TO THE LONG ISOLATOR AXIS, AN ADDT'L PLATE EQUAL IN THICKNESS TO THE TOP PLATE IS REQUIRED

SPECIFICATIONS:

- VERTICALLY AND Laterally RESTRAINED SPRING ISOLATOR WITH CONSTANT FREE AND OPERATING HEIGHT AND REPLACEABLE NEOPRENE SNUBBING ELEMENTS.
- ISOLATORS MUST BE BOLTED OR WELDED TOP AND BOTTOM IN AN APPROVED MANNER.
- MINIMUM COIL OVERLOAD OF 50%.
- MINIMUM Kx/Ky RATIO OF 1.0.
- ALL ELEMENTS SAFE AT SOLID LOADING.
- POWDER COATED COILS AND HOT DIPPED GALVANIZED BRACKET.
- HOUSINGS MAY BE USED FOR BLOCKING DURING EQUIPMENT ERECTION.



A2, B2, L2, T2, D2 DIMENSIONS REFER TO OPTIONAL BASE-PLATE USED TO INCREASE RATING WHEN ATTACHED TO CONCRETE



*ALL MOUNTING BOLT PATTERNS SYMMETRICAL ABOUT ISOLATOR CENTER-LINE

Computed horiz and vert seismic load combinations must fall within the restraint capacity envelope. Contact KNC for bolted to steel data.



KINETICS NOISE CONTROL, INC
6300 IRELAN PL,
DUBLIN, OH 43017 USA
Ph: 614 889-0480, Fax: 614 889-0540
www.kineticsnoise.com

Model:
FLSS-4-5500 / 11600

By: **JMJ**
Date: **07/15/02**
Revised: **05/04/06 / BB**

Drawing No:
S-01.22-43S METRIC