

# FLSS 102 mm DEFLECTION SEISMIC ISOLATOR

## S-I UNITS (mm AND kg)

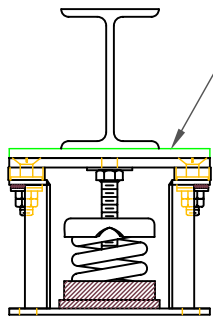
TYPE	L	W	T	A	B	D	E	F	d	H
4-2250/5800	413	203	13	25	25	17	140	140	17	381

A2, B2, L2, T2, D2 DIMENSIONS REFER TO OPTIONAL BASE-PLATE USED TO INCREASE RATING WHEN ATTACHED TO CONCRETE

STANDARD RATINGS		SPRING COIL					
TYPE	SIZE	COLOR		FREE		RATED	
		OUTER	INNER	HT.	O.D.	LOAD	DEFL.
FLSS	4-2250	BEIGE		292	203	1021	102
FLSS	4-2500	BEIGE	BLUE	292	203	1134	102
FLSS	4-2750	BEIGE	GREEN	292	203	1247	102
FLSS	4-3000	BEIGE	BLACK	292	203	1361	102
FLSS	4-3250	BEIGE	RED	292	203	1474	102
FLSS	4-3500	BEIGE	BROWN	292	203	1588	102
FLSS	4-3850	BEIGE	ORANGE	292	203	1746	102
FLSS	4-4200	CHROME		292	203	1905	102
FLSS	4-4450	CHROME	BLUE	292	203	2018	102
FLSS	4-4700	CHROME	GREEN	292	203	2132	102
FLSS	4-4950	CHROME	BLACK	292	203	2245	102
FLSS	4-5200	CHROME	RED	292	203	2359	102
FLSS	4-5450	CHROME	BROWN	292	203	2472	102
FLSS	4-5800	CHROME	ORANGE	292	203	2631	102

4-2250/5800 REQUIRES 016 DIA. x 102 MIN. EMBED ANCHORS IN CONCRETE (ALLOWABLE LOADS BASED ON 21 MPa MIN CONCRETE)

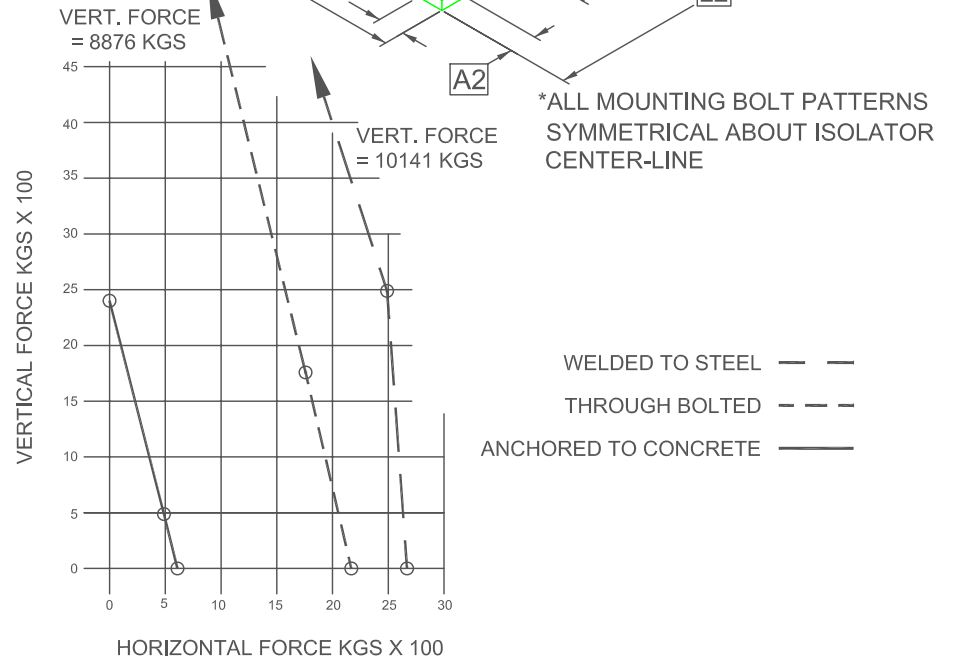
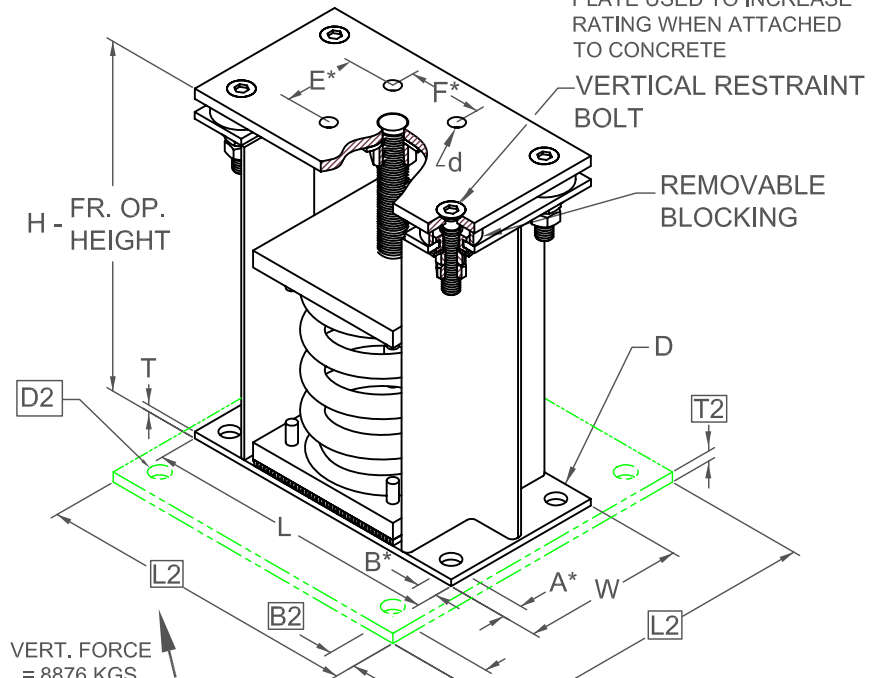
4-2250/5800 ANCHOR BOLT TORQUE - 102 N-M, PULL TEST - 1211 kg



IF EQUIP SUPPORT STEEL IS 90° TO THE LONG ISOLATOR AXIS, AN ADD'L PLATE EQUAL IN THICKNESS TO THE TOP PLATE IS REQUIRED

### SPECIFICATIONS:

- VERTICALLY AND Laterally RESTRAINED SPRING ISOLATOR WITH CONSTANT FREE AND OPERATING HEIGHT AND REPLACEABLE NEOPRENE SNUBBING ELEMENTS.
- MINIMUM COIL OVERLOAD OF 50%.
- MINIMUM Kx/Ky RATIO OF 1.0.
- ALL ELEMENTS SAFE AT SOLID LOADING.
- POWDER COATED COILS AND HOT DIPPED GALVANIZED BRACKET.
- HOUSINGS MAY BE USED FOR BLOCKING DURING EQUIPMENT ERECTION.



Computed horiz and vert seismic load combinations must fall within the restraint capacity envelope. Contact KNC for bolted to steel data.



KINETICS NOISE CONTROL, INC  
6300 IRELAN PL,  
DUBLIN, OH 43017 USA  
Ph: 614 889-0480, Fax: 614 889-0540  
www.kineticsnoise.com

Model:  
**FLSS-4-  
2250 / 5800**

By: **JMJ**  
Date: **07/15/02**  
Revised: **05/04/06 / BB**

Drawing No:  
**S-01.22-42S  
METRIC**