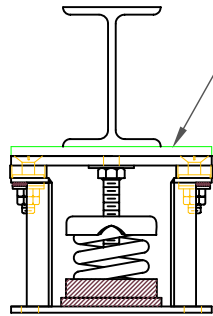


FLSS 4" DEFLECTION SEISMIC ISOLATOR IP UNITS (INCHES AND POUNDS)

| TYPE | L | W | T | A | B | D | E | F | d | H |
|---------------|-------|-------|------|------|------|------|------|------|------|-------|
| 4-11000/23200 | 27.00 | 17.00 | 0.75 | 1.00 | 1.00 | 0.81 | 9.00 | 9.00 | 0.69 | 15.25 |

| STANDARD RATINGS | | SPRING COIL | | | | | |
|------------------|---------|-------------|--------|-------|------|-------|-------|
| TYPE | SIZE | COLOR | | FREE | | RATED | |
| | | OUTER | INNER | HT. | O.D. | LOAD | DEFL. |
| FLSS | 4-11000 | BEIGE | GREEN | 11.50 | 8.00 | 11000 | 4.00 |
| FLSS | 4-12000 | BEIGE | BLACK | 11.50 | 8.00 | 12000 | 4.00 |
| FLSS | 4-13000 | BEIGE | RED | 11.50 | 8.00 | 13000 | 4.00 |
| FLSS | 4-14000 | BEIGE | BROWN | 11.50 | 8.00 | 14000 | 4.00 |
| FLSS | 4-15400 | BEIGE | ORANGE | 11.50 | 8.00 | 15400 | 4.00 |
| FLSS | 4-16800 | CHROME | | 11.50 | 8.00 | 16800 | 4.00 |
| FLSS | 4-17800 | CHROME | BLUE | 11.50 | 8.00 | 17800 | 4.00 |
| FLSS | 4-18800 | CHROME | GREEN | 11.50 | 8.00 | 18800 | 4.00 |
| FLSS | 4-19800 | CHROME | BLACK | 11.50 | 8.00 | 19800 | 4.00 |
| FLSS | 4-20800 | CHROME | RED | 11.50 | 8.00 | 20800 | 4.00 |
| FLSS | 4-21800 | CHROME | BROWN | 11.50 | 8.00 | 21800 | 4.00 |
| FLSS | 4-23200 | CHROME | ORANGE | 11.50 | 8.00 | 23200 | 4.00 |

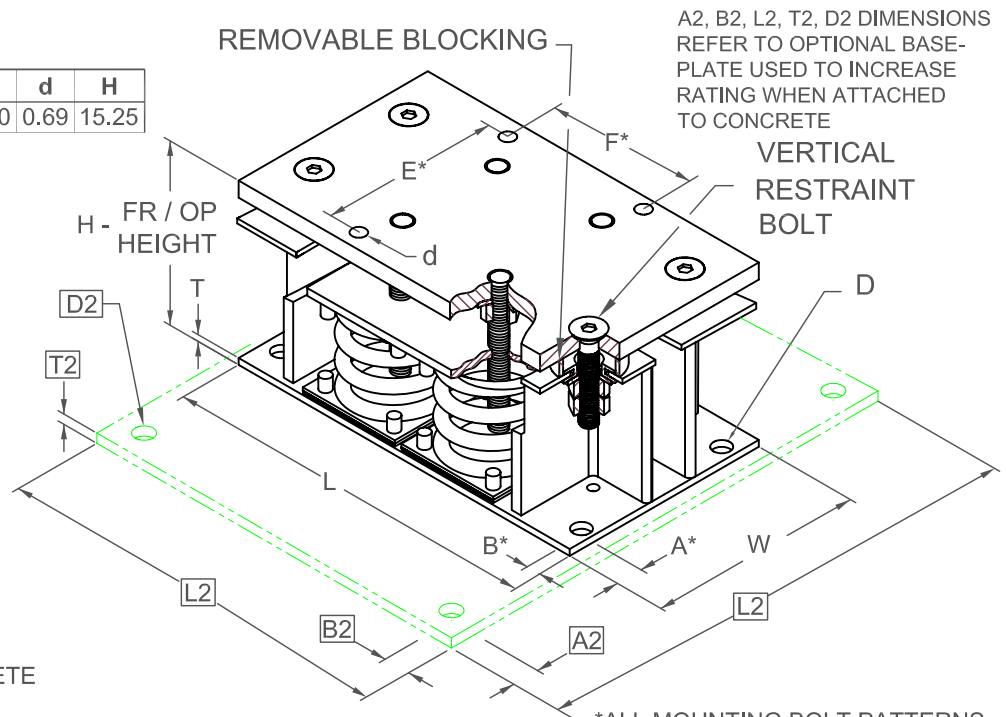
4-11000/23200 REQUIRES 0.75 DIA. x 4.75 MIN. EMBED ANCHORS IN CONCRETE (ALLOWABLE LOADS BASED ON 3000 PSI MIN CONCRETE)
4-11000/23200 ANCHOR BOLT TORQUE - 150 FT-LB, PULL TEST - 3625 LB



IF EQUIP SUPPORT STEEL IS 90° TO THE LONG ISOLATOR AXIS, AN ADDT'L PLATE EQUAL IN THICKNESS TO THE TOP PLATE IS REQUIRED

SPECIFICATIONS:

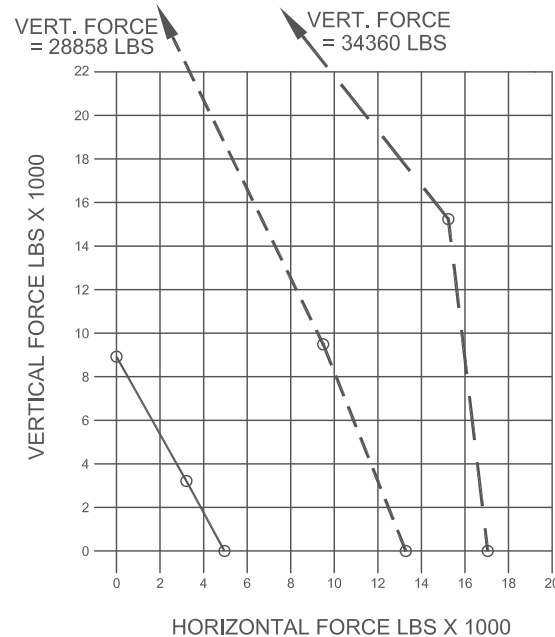
- VERTICALLY AND Laterally RESTRAINED SPRING ISOLATOR WITH CONSTANT FREE AND OPERATING HEIGHT AND REPLACEABLE NEOPRENE SNUBBING ELEMENTS.
- ISOLATORS MUST BE BOLTED OR WELDED TOP AND BOTTOM IN AN APPROVED MANNER.
- MINIMUM COIL OVERLOAD OF 50%.
- MINIMUM K_x/K_y RATIO OF 1.0.
- ALL ELEMENTS SAFE AT SOLID LOADING.
- POWDER COATED COILS AND HOT DIPPED GALVANIZED BRACKET.
- HOUSINGS MAY BE USED FOR BLOCKING DURING EQUIPMENT ERECTION.



A2, B2, L2, T2, D2 DIMENSIONS REFER TO OPTIONAL BASE-PLATE USED TO INCREASE RATING WHEN ATTACHED TO CONCRETE

VERTICAL RESTRAINT BOLT

*ALL MOUNTING BOLT PATTERNS SYMMETRICAL ABOUT ISOLATOR CENTER-LINE



Computed horiz and vert seismic load combinations must fall within the restraint capacity envelope. Contact KNC for bolted to steel data.



KINETICS NOISE CONTROL, INC
6300 IRELAN PL,
DUBLIN, OH 43017 USA
Ph: 614 889-0480, Fax: 614 889-0540
www.kineticsnoise.com

Model:
**FLSS-4-
11000 / 23200**

By: **JMJ**
Date: **07/15/02**
Revised: **05/04/06 / BB**

Drawing No:
S-01.22-44S