

# FLSS 102 mm DEFLECTION SEISMIC ISOLATOR

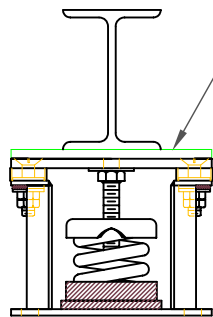
S-J UNITS (mm AND kg)

TYPE	L	W	T	A	B	D	E	F	d	H
4-11000/23200	686	432	19	25	25	21	229	229	17	387

STANDARD RATINGS		SPRING COIL						
TYPE	SIZE	COLOR		FREE		RATED		
		OUTER	INNER	HT.	O.D.	LOAD	DEFL.	
FLSS	4-11000	BEIGE	GREEN	292	203	4990	102	
FLSS	4-12000	BEIGE	BLACK	292	203	5443	102	
FLSS	4-13000	BEIGE	RED	292	203	5897	102	
FLSS	4-14000	BEIGE	BROWN	292	203	6350	102	
FLSS	4-15400	BEIGE	ORANGE	292	203	6985	102	
FLSS	4-16800	CHROME		292	203	7620	102	
FLSS	4-17800	CHROME	BLUE	292	203	8074	102	
FLSS	4-18800	CHROME	GREEN	292	203	8528	102	
FLSS	4-19800	CHROME	BLACK	292	203	8981	102	
FLSS	4-20800	CHROME	RED	292	203	9435	102	
FLSS	4-21800	CHROME	BROWN	292	203	9888	102	
FLSS	4-23200	CHROME	ORANGE	292	203	10523	102	

4-11000/23200 REQUIRES 019 DIA. x 119 MIN. EMBED ANCHORS IN CONCRETE  
(ALLOWABLE LOADS BASED ON 21 MPa MIN CONCRETE)

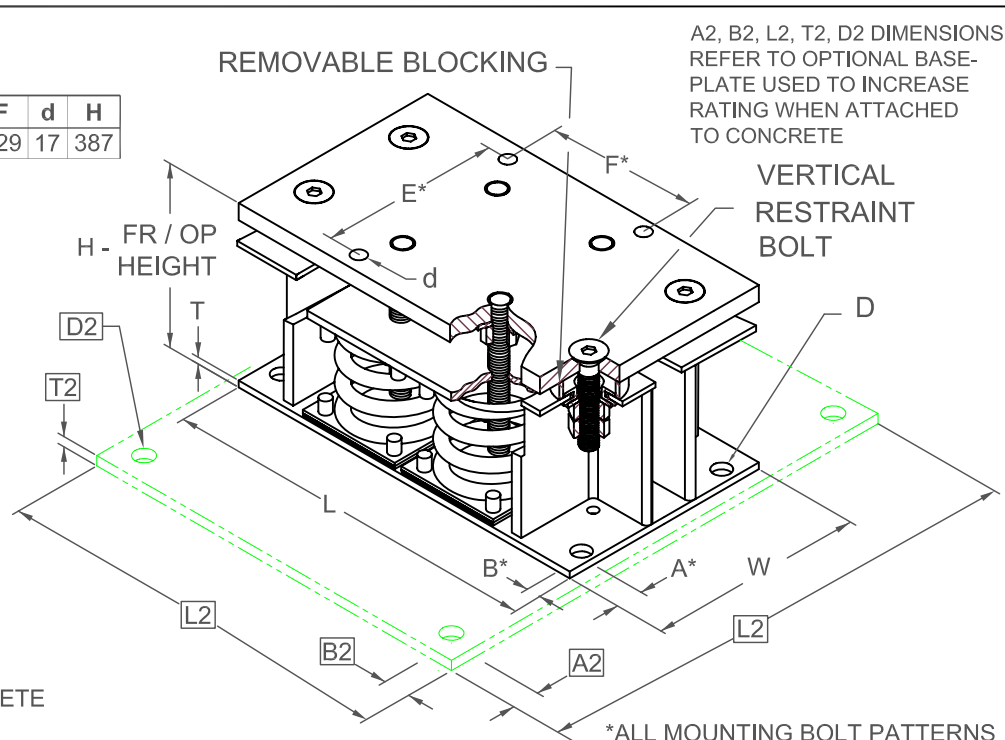
4-11000/23200 ANCHOR BOLT TORQUE - 203 N-M, PULL TEST - 1644 kg



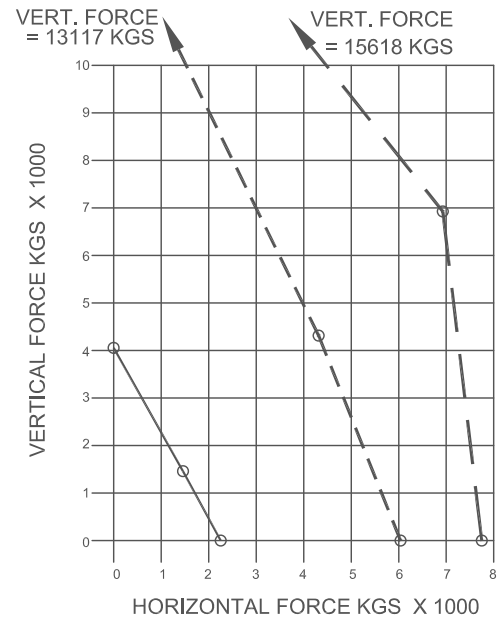
IF EQUIP SUPPORT STEEL IS 90° TO THE LONG ISOLATOR AXIS, AN ADD'L PLATE EQUAL IN THICKNESS TO THE TOP PLATE IS REQUIRED

### SPECIFICATIONS:

- VERTICALLY AND Laterally RESTRAINED SPRING ISOLATOR WITH CONSTANT FREE AND OPERATING HEIGHT AND REPLACEABLE NEOPRENE SNUBBING ELEMENTS.
- ISOLATORS MUST BE BOLTED OR WELDED TOP AND BOTTOM IN AN APPROVED MANNER.
- MINIMUM COIL OVERLOAD OF 50%.
- MINIMUM Kx/Ky RATIO OF 1.0.
- ALL ELEMENTS SAFE AT SOLID LOADING.
- POWDER COATED COILS AND HOT DIPPED GALVANIZED BRACKET.
- HOUSINGS MAY BE USED FOR BLOCKING DURING EQUIPMENT ERECTION.



\*ALL MOUNTING BOLT PATTERNS SYMMETRICAL ABOUT ISOLATOR CENTER-LINE



Computed horiz and vert seismic load combinations must fall within the restraint capacity envelope. Contact KNC for bolted to steel data.



KINETICS NOISE CONTROL, INC  
6300 IRELAN PL,  
DUBLIN, OH 43017 USA  
Ph: 614 889-0480, Fax: 614 889-0540  
www.kineticsnoise.com

Model:  
**FLSS-4-11000 / 23200**

By: **JMJ**  
Date: **07/15/02**  
Revised: **05/04/06 / BB**

Drawing No:  
**S-01.22-44S METRIC**