

FLSS 4" DEFLECTION SEISMIC ISOLATOR

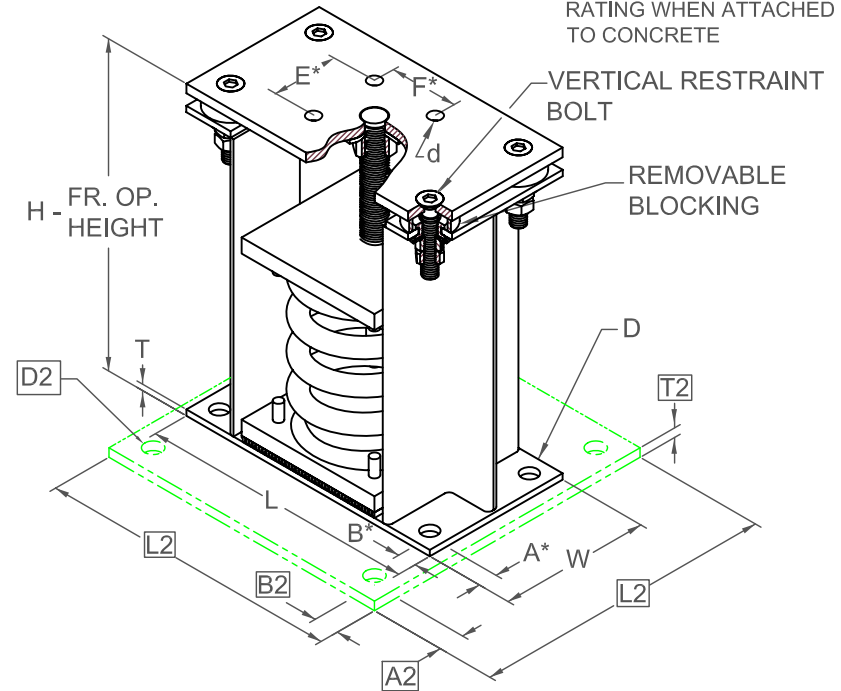
IP UNITS (INCHES AND POUNDS)

TYPE	L	W	T	A	B	D	E	F	d	H
4-100/1600	11.00	6.00	0.38	0.75	0.75	0.69	2.75	2.75	0.56	13.00

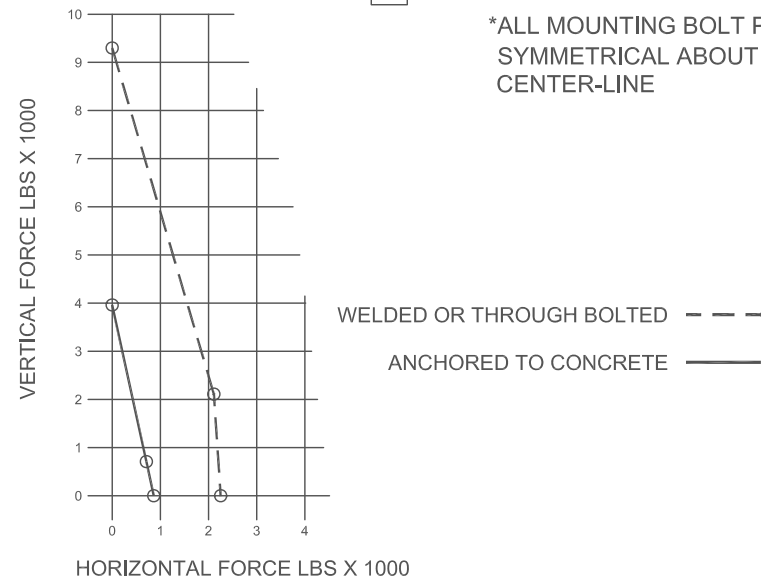
A2, B2, L2, T2, D2 DIMENSIONS REFER TO OPTIONAL BASE-PLATE USED TO INCREASE RATING WHEN ATTACHED TO CONCRETE

STANDARD RATINGS		SPRING COIL				
TYPE	SIZE	COLOR	FREE HT.	O.D.	RATED LOAD	RATED DEFL.
FLSS	4-100	GRAY	10.00	5.63	100	4.00
FLSS	4-250	BLUE	10.00	5.63	250	4.00
FLSS	4-500	GREEN	10.00	5.63	500	4.00
FLSS	4-750	BLACK	10.00	5.63	750	4.00
FLSS	4-1000	RED	10.00	5.63	1000	4.00
FLSS	4-1250	BROWN	10.00	5.63	1250	4.00
FLSS	4-1600	ORANGE	10.00	5.63	1600	4.00

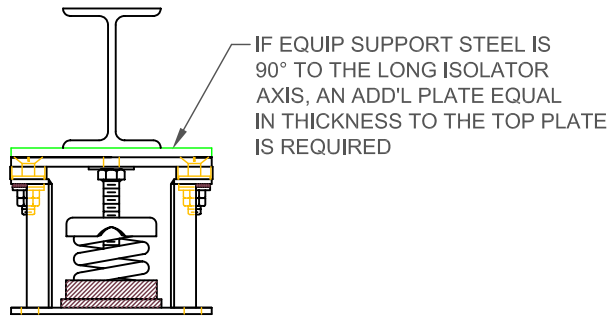
4-100/1600 REQUIRES 0.62 DIA. x 4.00 MIN. EMBED ANCHORS IN CONCRETE (ALLOWABLE LOADS BASED ON 3000 PSI MIN CONCRETE)
 4-100/1600 ANCHOR BOLT TORQUE - 75 FT-LB, PULL TEST - 2670 LB



*ALL MOUNTING BOLT PATTERNS SYMMETRICAL ABOUT ISOLATOR CENTER-LINE



Computed horiz and vert seismic load combinations must fall within the restraint capacity envelope. Contact KNC for bolted to steel data.



SPECIFICATIONS:

- VERTICALLY AND Laterally RESTRAINED SPRING ISOLATOR WITH CONSTANT FREE AND OPERATING HEIGHT AND REPLACEABLE NEOPRENE SNUBBING ELEMENTS.
- MINIMUM COIL OVERLOAD OF 50%.
- MINIMUM Kx/Ky RATIO OF 1.0.
- ALL ELEMENTS SAFE AT SOLID LOADING.
- POWDER COATED COILS AND HOT DIPPED GALVANIZED BRACKET.
- HOUSINGS MAY BE USED FOR BLOCKING DURING EQUIPMENT ERECTION.



KINETICS NOISE CONTROL, INC
 6300 IRELAN PL,
 DUBLIN, OH 43017 USA
 Ph: 614 889-0480, Fax: 614 889-0540
 www.kineticsnoise.com

Model:
FLSS-4-100 / 1600

By: **JMJ**
 Date: **07/15/02**
 Revised: **05/04/06 / BB**

Drawing No:
S-01.22-41S