

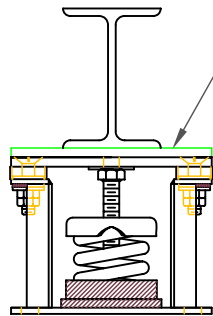
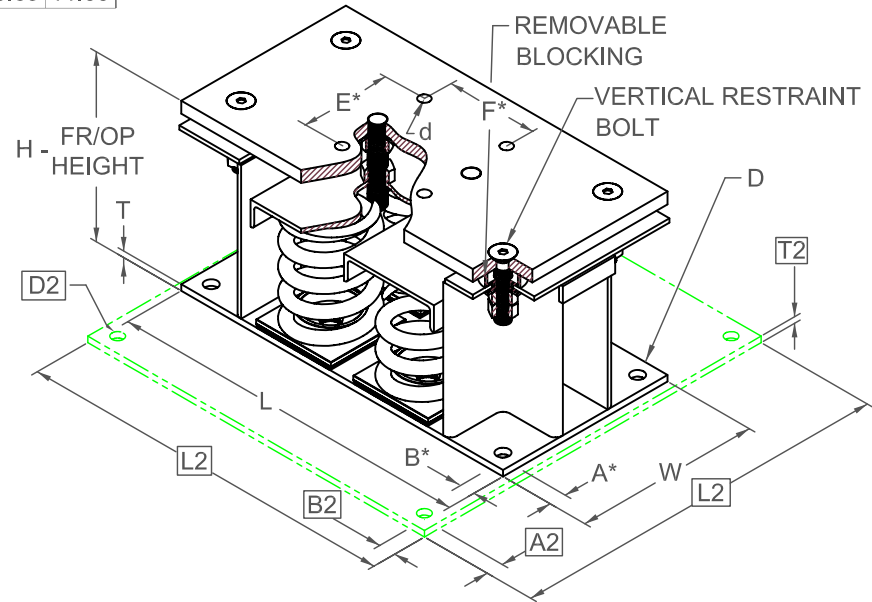
FLSS 2" DEFLECTION SEISMIC ISOLATOR IP UNITS (INCHES AND POUNDS)

A2, B2, L2, T2, D2 DIMENSIONS REFER TO OPTIONAL BASE-PLATE USED TO INCREASE RATING WHEN ATTACHED TO CONCRETE

TYPE	L	W	T	A	B	D	E	F	d	H
2-8000/18000	21.50	11.00	0.50	1.00	1.00	0.81	5.50	5.50	0.69	11.00

STANDARD RATINGS		SPRING COIL						
TYPE	SIZE	COLOR			FREE	RATED		
		OUTER	INNER1	INNER2	HT.	O.D.	LOAD	DEFL.
FLSS	2-8000	ORANGE			7.00	5.00	8000	2.00
FLSS	2-10000	BLUE			7.00	5.00	10000	2.00
FLSS	2-11000	BLUE	BLUE		7.00	5.00	11000	2.00
FLSS	2-12100	BLUE	GREEN		7.00	5.00	12100	2.02
FLSS	2-13000	BLUE	BLACK		7.00	5.00	13000	2.00
FLSS	2-14000	BLUE	ORANGE		7.00	5.00	14000	2.00
FLSS	2-15600	BLUE	ORANGE	GREEN	7.00	5.00	15600	2.00
FLSS	2-16400	BLUE	RED		7.00	5.00	16400	2.00
FLSS	2-18000	BLUE	RED	GREEN	7.00	5.00	18000	2.00

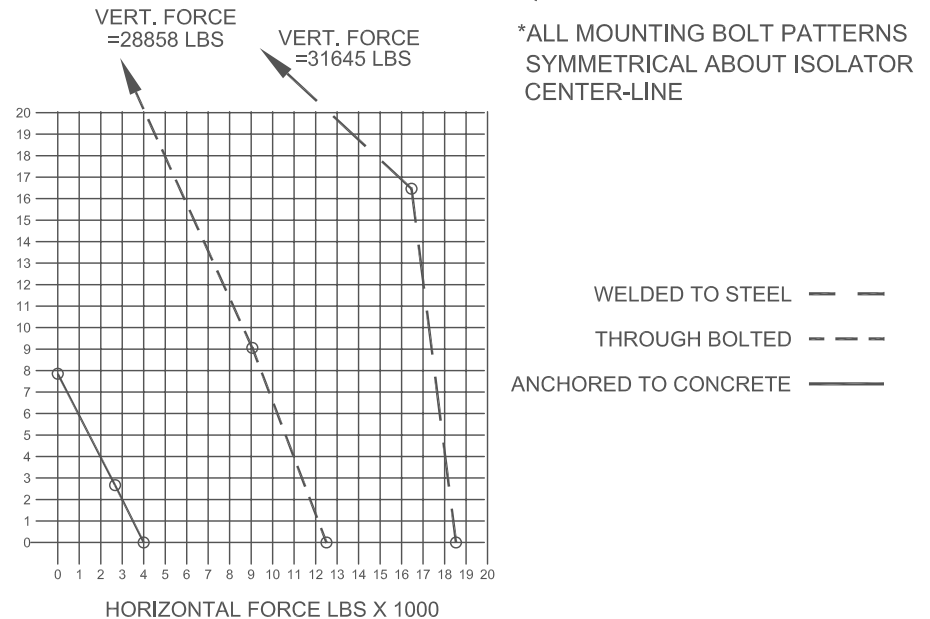
2-8000/18000 REQUIRES 0.75 DIA. x 4.75 MIN. EMBED ANCHORS IN CONCRETE (ALLOWABLE LOADS BASED ON 3000 PSI MIN CONCRETE)
2-8000/18000 ANCHOR BOLT TORQUE - 150 FT-LB, PULL TEST - 3625 LB



IF EQUIP SUPPORT STEEL IS 90° TO THE LONG ISOLATOR AXIS, AN ADD'L PLATE EQUAL IN THICKNESS TO THE TOP PLATE IS REQUIRED

SPECIFICATIONS:

- VERTICALLY AND LATERALLY RESTRAINED SPRING ISOLATOR WITH CONSTANT FREE AND OPERATING HEIGHT AND REPLACEABLE NEOPRENE SNUBBING ELEMENTS.
- MINIMUM COIL OVERLOAD OF 50%.
- MINIMUM Kx/Ky RATIO OF 1.0.
- ALL ELEMENTS SAFE AT SOLID LOADING.
- POWDER COATED COILS AND HOT DIPPED GALVANIZED BRACKET.
- HOUSINGS MAY BE USED FOR BLOCKING DURING EQUIPMENT ERECTION



Computed horiz and vert seismic load combinations must fall within the restraint capacity envelope. Contact KNC for bolted to steel data.



KINETICS NOISE CONTROL, INC
6300 IRELAN PL,
DUBLIN, OH 43017 USA
Ph: 614 889-0480, Fax: 614 889-0540
www.kineticsnoise.com

Model:
**FLSS-2-
8000 / 18000**

By: **JMJ**
Date: **07/15/02**
Revised: **05/04/06 / BB**

Drawing No:
S-01.22-24S