

FLSS 51 mm DEFLECTION SEISMIC ISOLATOR

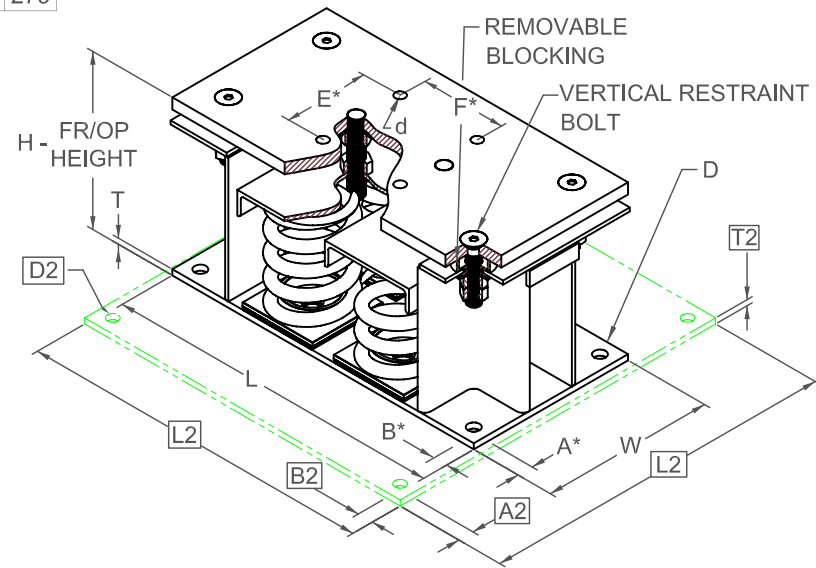
S-I UNITS (mm AND kg)

TYPE	L	W	T	A	B	D	E	F	d	H
2-8000/18000	546	279	13	25	25	21	140	140	17	279

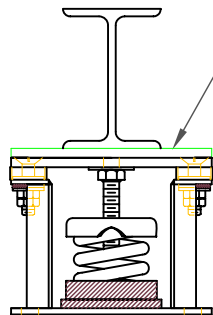
A2, B2, L2, T2, D2 DIMENSIONS REFER TO OPTIONAL BASE-PLATE USED TO INCREASE RATING WHEN ATTACHED TO CONCRETE

STANDARD RATINGS		SPRING COIL						
TYPE	SIZE	COLOR			FREE	RATED		
		OUTER	INNER1	INNER2	HT.	O.D.	LOAD	DEFL.
FLSS	2-8000	ORANGE			178	127	3629	51
FLSS	2-10000	BLUE			178	127	4536	51
FLSS	2-11000	BLUE	BLUE		178	127	4990	51
FLSS	2-12100	BLUE	GREEN		178	127	5488	51
FLSS	2-13000	BLUE	BLACK		178	127	5897	51
FLSS	2-14000	BLUE	ORANGE		178	127	6350	51
FLSS	2-15600	BLUE	ORANGE	GREEN	178	127	7076	51
FLSS	2-16400	BLUE	RED		178	127	7439	51
FLSS	2-18000	BLUE	RED	GREEN	178	127	8165	51

2-8000/18000 REQUIRES 019 DIA. x 119 MIN. EMBED ANCHORS IN CONCRETE
(ALLOWABLE LOADS BASED ON 21 MPa MIN CONCRETE)
2-8000/18000 ANCHOR BOLT TORQUE - 203 N-M, PULL TEST - 1644 kg



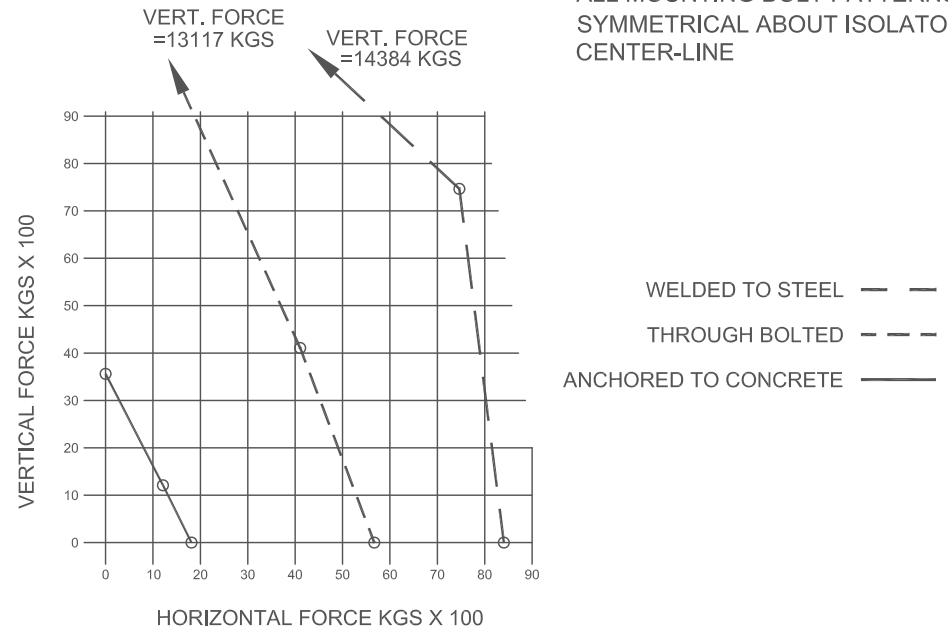
*ALL MOUNTING BOLT PATTERNS SYMMETRICAL ABOUT ISOLATOR CENTER-LINE



IF EQUIP SUPPORT STEEL IS 90° TO THE LONG ISOLATOR AXIS, AN ADD'L PLATE EQUAL IN THICKNESS TO THE TOP PLATE IS REQUIRED

SPECIFICATIONS:

- VERTICALLY AND Laterally RESTRAINED SPRING ISOLATOR WITH CONSTANT FREE AND OPERATING HEIGHT AND REPLACEABLE NEOPRENE SNUBBING ELEMENTS.
- MINIMUM COIL OVERLOAD OF 50%.
- MINIMUM Kx/Ky RATIO OF 1.0.
- ALL ELEMENTS SAFE AT SOLID LOADING.
- POWDER COATED COILS AND HOT DIPPED GALVANIZED BRACKET.
- HOUSINGS MAY BE USED FOR BLOCKING DURING EQUIPMENT ERECTION.



Computed horiz and vert seismic load combinations must fall within the restraint capacity envelope. Contact KNC for bolted to steel data.



KINETICS NOISE CONTROL, INC
6300 IRELAN PL,
DUBLIN, OH 43017 USA
Ph: 614 889-0480, Fax: 614 889-0540
www.kineticsnoise.com

Model:
**FLSS-2-
8000 / 18000**

By: **JMJ**
Date: **07/15/02**
Revised: **05/04/06 / BB**

Drawing No:
**S-01.22-24S
METRIC**