

FLSS 2" DEFLECTION SEISMIC ISOLATOR IP UNITS (INCHES AND POUNDS)

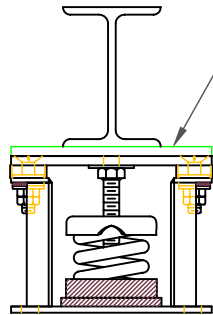
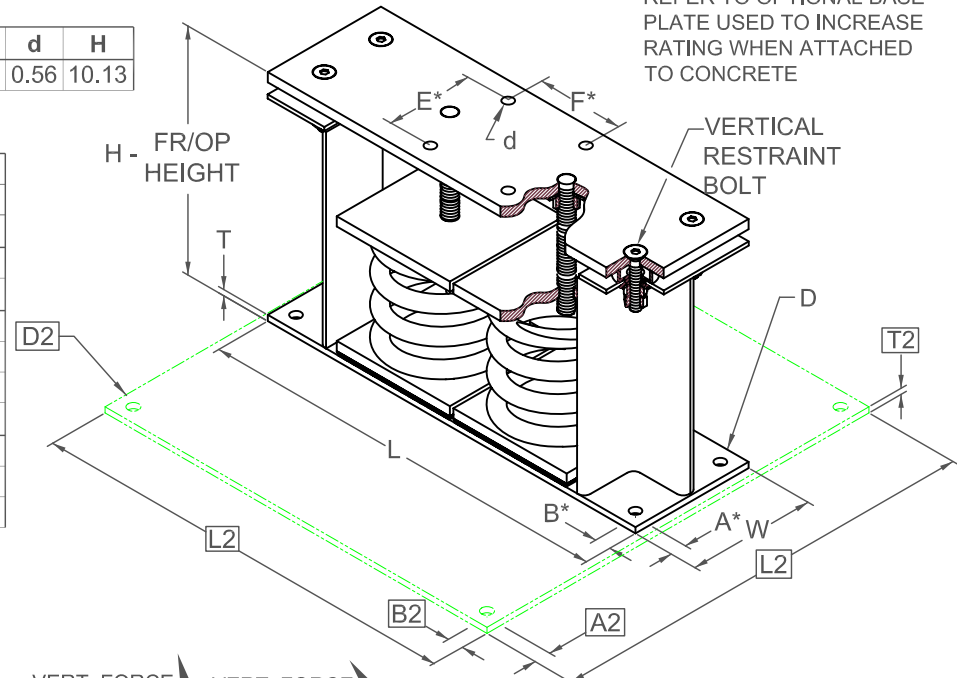
| TYPE | L | W | T | A | B | D | E | F | d | H |
|-------------|-------|------|------|------|------|------|------|------|------|-------|
| 2-4000/9000 | 17.50 | 6.00 | 0.50 | 0.75 | 0.75 | 0.69 | 2.75 | 2.75 | 0.56 | 10.13 |

A2, B2, L2, T2, D2 DIMENSIONS REFER TO OPTIONAL BASE-PLATE USED TO INCREASE RATING WHEN ATTACHED TO CONCRETE

| STANDARD RATINGS | | SPRING COIL | | | | | | |
|------------------|--------|-------------|--------|--------|----------|------|-------|-------|
| TYPE | SIZE | OUTER | INNER1 | INNER2 | FREE HT. | O.D. | RATED | |
| | | | | | | | LOAD | DEFL. |
| FLSS | 2-4000 | ORANGE | | | 7.00 | 5.00 | 4000 | 2.00 |
| FLSS | 2-5000 | BLUE | | | 7.00 | 5.00 | 5000 | 2.00 |
| FLSS | 2-5500 | BLUE | BLUE | | 7.00 | 5.00 | 5500 | 2.00 |
| FLSS | 2-6050 | BLUE | GREEN | | 7.00 | 5.00 | 6050 | 2.02 |
| FLSS | 2-6500 | BLUE | BLACK | | 7.00 | 5.00 | 6500 | 2.00 |
| FLSS | 2-7000 | BLUE | ORANGE | | 7.00 | 5.00 | 7000 | 2.00 |
| FLSS | 2-7800 | BLUE | ORANGE | GREEN | 7.00 | 5.00 | 7800 | 2.00 |
| FLSS | 2-8200 | BLUE | RED | | 7.00 | 5.00 | 8200 | 2.00 |
| FLSS | 2-9000 | BLUE | RED | GREEN | 7.00 | 5.00 | 9000 | 2.00 |

2-4000/9000 REQUIRES 0.62 DIA. x 4.00 MIN. EMBED ANCHORS IN CONCRETE (ALLOWABLE LOADS BASED ON 3000 PSI MIN CONCRETE)

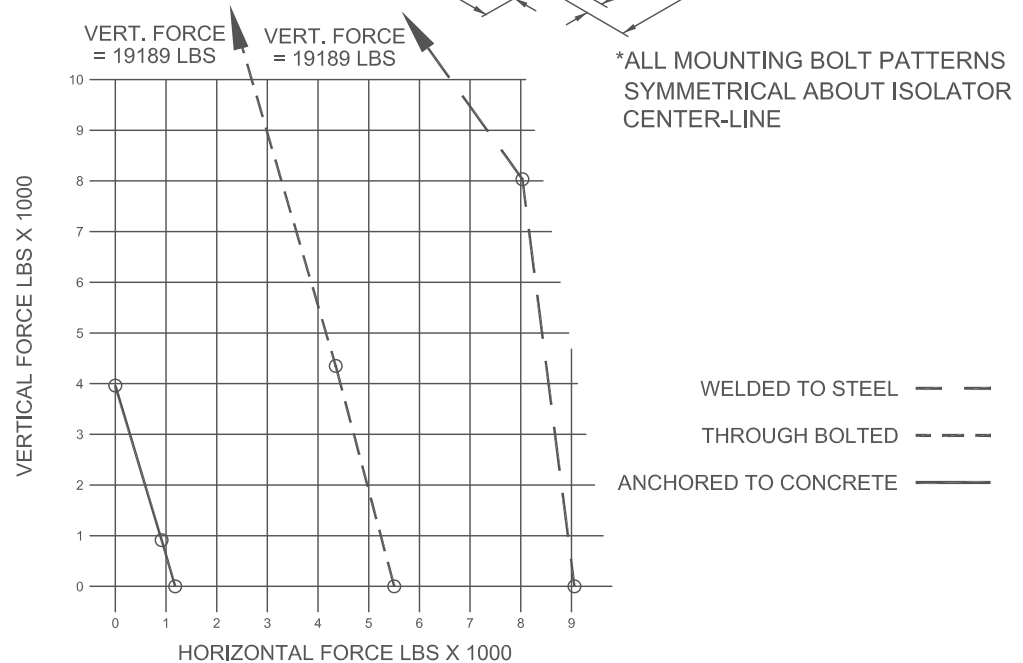
2-4000/9000 ANCHOR BOLT TORQUE - 75 FT-LB, PULL TEST - 2670 LB



IF EQUIP SUPPORT STEEL IS 90° TO THE LONG ISOLATOR AXIS, AN ADD'L PLATE EQUAL IN THICKNESS TO THE TOP PLATE IS REQUIRED

SPECIFICATIONS:

- VERTICALLY AND Laterally RESTRAINED SPRING ISOLATOR WITH CONSTANT FREE AND OPERATING HEIGHT AND REPLACEABLE NEOPRENE SNUBBING ELEMENTS.
- MINIMUM COIL OVERLOAD OF 50%.
- MINIMUM Kx/Ky RATIO OF 1.0.
- ALL ELEMENTS SAFE AT SOLID LOADING.
- POWDER COATED COILS AND HOT DIPPED GALVANIZED BRACKET.
- HOUSINGS MAY BE USED FOR BLOCKING DURING EQUIPMENT ERECTION.



Computed horiz and vert seismic load combinations must fall within the restraint capacity envelope. Contact KNC for bolted to steel data.



KINETICS NOISE CONTROL, INC
6300 IRELAN PL,
DUBLIN, OH 43017 USA
Ph: 614 889-0480, Fax: 614 889-0540
www.kineticsnoise.com

Model:
**FLSS-2-
4000 / 9000**

By: **JMJ**
Date: **07/12/02**
Revised: **05/04/06 / BB**

Drawing No:
S-01.22-23S