

FLSS 51 mm DEFLECTION SEISMIC ISOLATOR

S-I UNITS (mm AND kg)

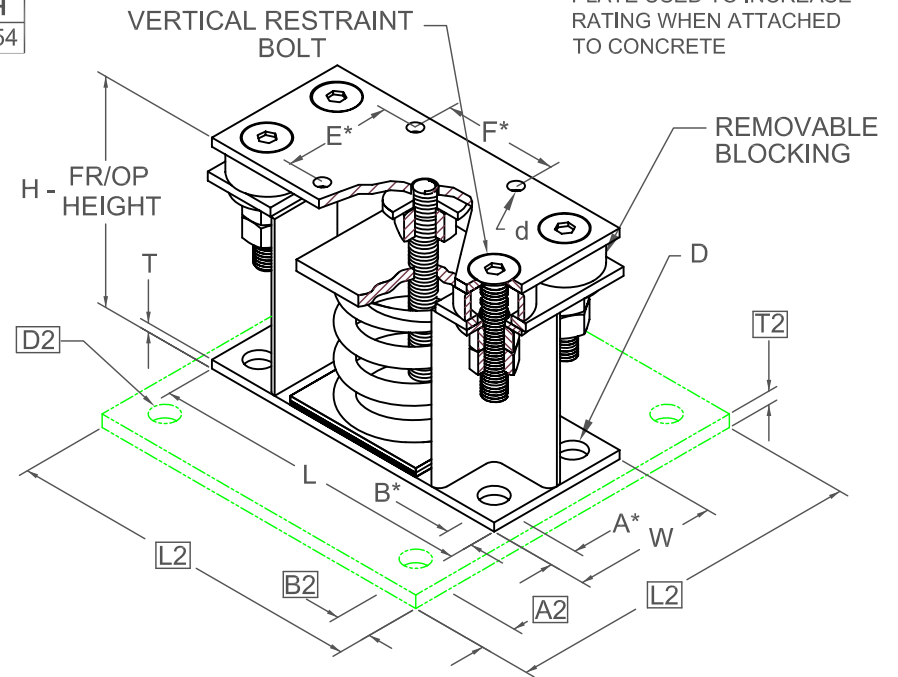
TYPE	L	W	T	A	B	D	E	F	d	H
2-2000/4500	279	127	8	19	19	17	70	70	14	254

A2, B2, L2, T2, D2 DIMENSIONS REFER TO OPTIONAL BASE-PLATE USED TO INCREASE RATING WHEN ATTACHED TO CONCRETE

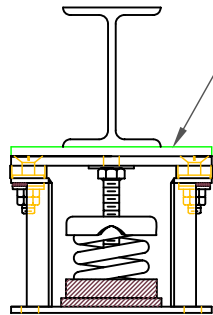
STANDARD RATINGS		SPRING COIL						
TYPE	SIZE	COLOR		INNER2	FREE HT.	O.D.	RATED	
		OUTER	INNER1				LOAD	DEFL.
FLSS	2-2000	ORANGE			178	127	907	51
FLSS	2-2500	BLUE			178	127	1134	51
FLSS	2-2750	BLUE	BLUE		178	127	1247	51
FLSS	2-3025	BLUE	GREEN		178	127	1372	51
FLSS	2-3250	BLUE	BLACK		178	127	1474	51
FLSS	2-3500	BLUE	ORANGE		178	127	1588	51
FLSS	2-3900	BLUE	ORANGE	GREEN	178	127	1769	51
FLSS	2-4100	BLUE	RED		178	127	1860	51
FLSS	2-4500	BLUE	RED	GREEN	178	127	2041	51

2-2000/4500 REQUIRES 016 DIA. x 102 MIN. EMBED ANCHORS IN CONCRETE (ALLOWABLE LOADS BASED ON 21 MPa MIN CONCRETE)

2-2000/4500 ANCHOR BOLT TORQUE - 102 N-M, PULL TEST - 1211 kg



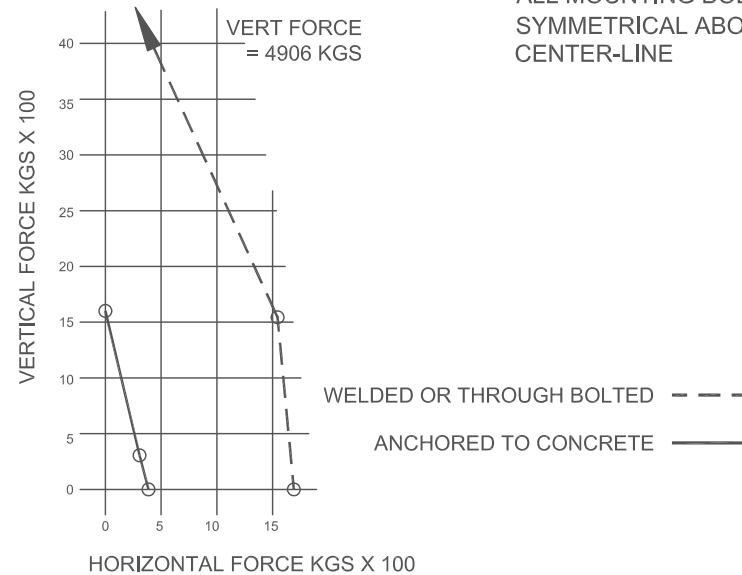
*ALL MOUNTING BOLT PATTERNS SYMMETRICAL ABOUT ISOLATOR CENTER-LINE



IF EQUIP SUPPORT STEEL IS 90° TO THE LONG ISOLATOR AXIS, AN ADD'L PLATE EQUAL IN THICKNESS TO THE TOP PLATE IS REQUIRED

SPECIFICATIONS:

- VERTICALLY AND Laterally RESTRAINED SPRING ISOLATOR WITH CONSTANT FREE AND OPERATING HEIGHT AND REPLACEABLE NEOPRENE SNUBBING ELEMENTS.
- MINIMUM COIL OVERLOAD OF 50%.
- MINIMUM K_x/K_y RATIO OF 1.0.
- ALL ELEMENTS SAFE AT SOLID LOADING.
- POWDER COATED COILS AND HOT DIPPED GALVANIZED BRACKET.
- HOUSINGS MAY BE USED FOR BLOCKING DURING EQUIPMENT ERECTION.



Computed horiz and vert seismic load combinations must fall within the restraint capacity envelope. Contact KNC for bolted to steel data.



KINETICS NOISE CONTROL, INC
6300 IRELAN PL,
DUBLIN, OH 43017 USA
Ph: 614 889-0480, Fax: 614 889-0540
www.kineticsnoise.com

Model:
**FLSS-2-
2000 / 4500**

By: **JMJ**
Date: **07/12/02**
Revised: **05/04/06 / BB**

Drawing No:
**S-01.22-22S
METRIC**