

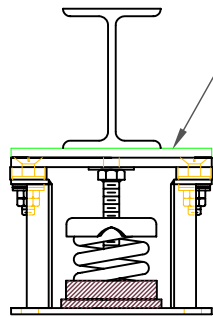
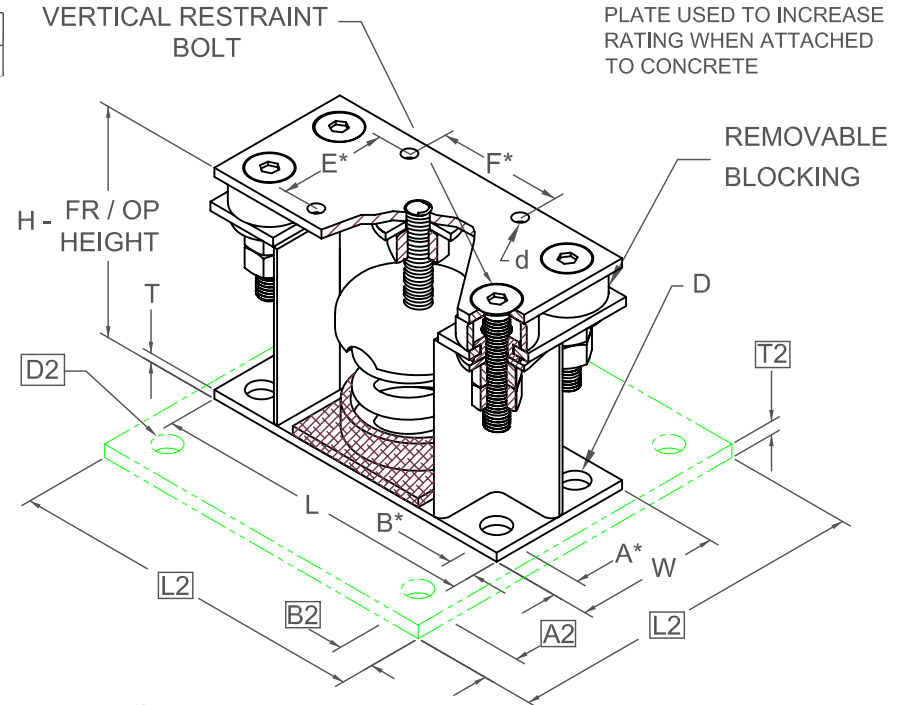
**FLSS 2" DEFLECTION SEISMIC ISOLATOR
IP UNITS (INCHES AND POUNDS)**

TYPE	L	W	T	A	B	D	E	F	d	H
2-100/1975	10.00	5.00	0.31	0.75	0.75	0.69	2.75	2.75	0.56	8.00

A2, B2, L2, T2, D2 DIMENSIONS REFER TO OPTIONAL BASE-PLATE USED TO INCREASE RATING WHEN ATTACHED TO CONCRETE

STANDARD RATINGS		SPRING COIL					
TYPE	SIZE	COLOR		FREE		RATED	
		OUTER	INNER	HT.	O.D.	LOAD	DEFL.
FLSS	2-100	GRAY		6.09	3.50	100	2.00
FLSS	2-250	BLUE		6.09	3.50	250	2.00
FLSS	2-500	GREEN		6.09	3.50	500	2.00
FLSS	2-750	BLACK		6.09	3.50	750	2.00
FLSS	2-995	ORANGE		6.09	3.50	995	2.00
FLSS	2-1400	ORANGE	GREEN	6.09	3.50	1400	2.01
FLSS	2-1600	RED		6.09	3.50	1600	2.00
FLSS	2-1975	RED	GREEN	6.09	3.50	1975	1.98

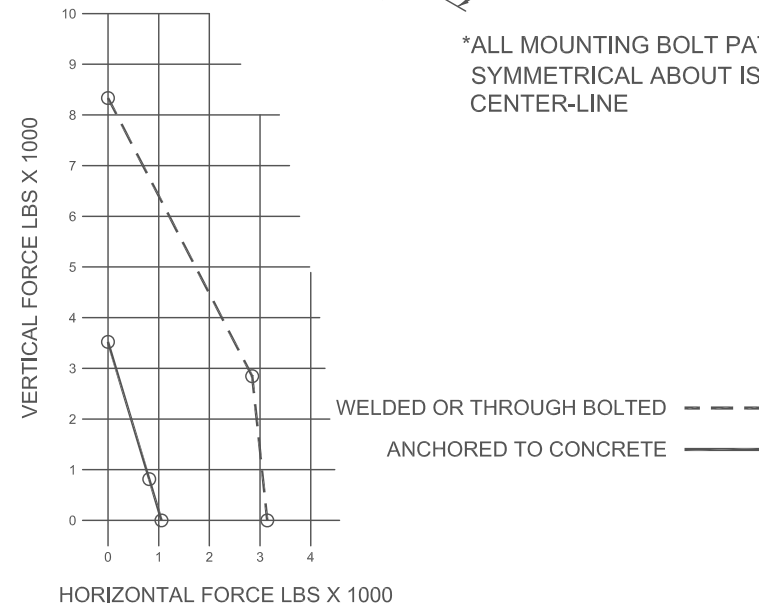
2-100/1975 REQUIRES 0.62 DIA. x 4.00 MIN. EMBED ANCHORS IN CONCRETE (ALLOWABLE LOADS BASED ON 3000 PSI MIN CONCRETE)
2-100/1975 ANCHOR BOLT TORQUE - 75 FT-LB, PULL TEST - 2670 LB



IF EQUIP SUPPORT STEEL IS 90° TO THE LONG ISOLATOR AXIS, AN ADD'L PLATE EQUAL IN THICKNESS TO THE TOP PLATE IS REQUIRED

SPECIFICATIONS:

- VERTICALLY AND Laterally RESTRAINED SPRING ISOLATOR WITH CONSTANT FREE AND OPERATING HEIGHT AND REPLACEABLE NEOPRENE SNUBBING ELEMENTS.
- MINIMUM COIL OVERLOAD OF 50%.
- MINIMUM Kx/Ky RATIO OF 1.0.
- ALL ELEMENTS SAFE AT SOLID LOADING.
- POWDER COATED COILS AND HOT DIPPED GALVANIZED BRACKET.
- HOUSINGS MAY BE USED FOR BLOCKING DURING EQUIPMENT ERECTION.



*ALL MOUNTING BOLT PATTERNS SYMMETRICAL ABOUT ISOLATOR CENTER-LINE

Computed horiz and vert seismic load combinations must fall within the restraint capacity envelope. Contact KNC for bolted to steel data.



KINETICS NOISE CONTROL, INC
6300 IRELAN PL,
DUBLIN, OH 43017 USA
Ph: 614 889-0480, Fax: 614 889-0540
www.kineticsnoise.com

Model:
FLSS-2-100 / 1975

By: **JMJ**
Date: **07/12/02**
Revised: **05/04/06 / BB**

Drawing No:
S-01.22-21S