

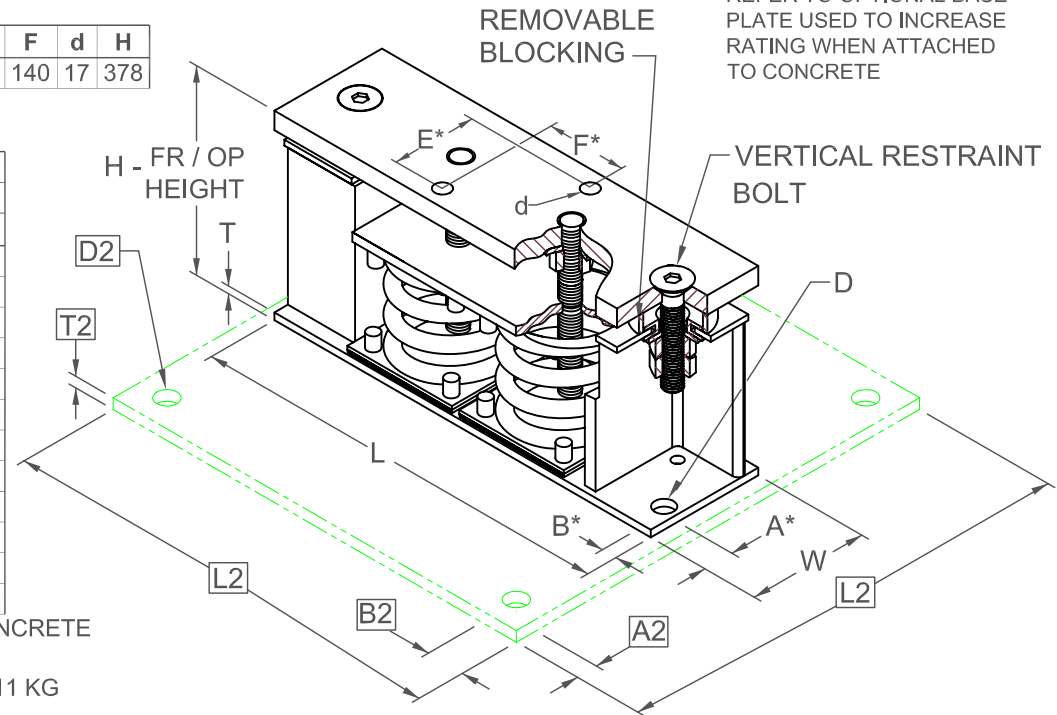
FLS 102 mm DEFLECTION ISOLATOR

S-I UNITS (mm AND kg)

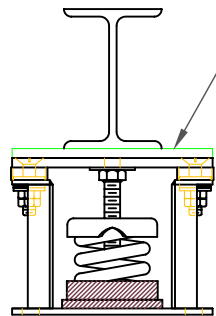
TYPE	L	W	T	A	B	D	E	F	d	H
4-5500/11600	648	203	10	29	44	21	140	140	17	378

A2, B2, L2, T2, D2 DIMENSIONS REFER TO OPTIONAL BASE-PLATE USED TO INCREASE RATING WHEN ATTACHED TO CONCRETE

STANDARD RATINGS		SPRING COIL					
TYPE	SIZE	COLOR		FREE		RATED	
		OUTER	INNER	HT.	O.D.	LOAD	DEFL.
FLS	4-5500	BEIGE	GREEN	292	203	2495	102
FLS	4-6000	BEIGE	BLACK	292	203	2722	102
FLS	4-6500	BEIGE	RED	292	203	2948	102
FLS	4-7000	BEIGE	BROWN	292	203	3175	102
FLS	4-7700	BEIGE	ORANGE	292	203	3493	102
FLS	4-8400	CHROME		292	203	3810	102
FLS	4-8900	CHROME	BLUE	292	203	4037	102
FLS	4-9400	CHROME	GREEN	292	203	4264	102
FLS	4-9900	CHROME	BLACK	292	203	4491	102
FLS	4-10400	CHROME	RED	292	203	4717	102
FLS	4-10900	CHROME	BROWN	292	203	4944	102
FLS	4-11600	CHROME	ORANGE	292	203	5262	102



4-5500/11600 REQUIRES 16 DIA x 102 MIN. EMBED ANCHORS IN CONCRETE (ALLOWABLE LOADS BASED ON 21 MPa MIN CONCRETE)
 4-5500/11600 ANCHOR BOLT TORQUE - 102 N-M, PULL TEST - 1211 KG

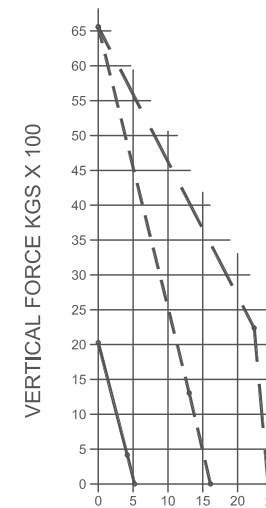


IF EQUIP SUPPORT STEEL IS 90° TO THE LONG ISOLATOR AXIS, AN ADD'L PLATE EQUAL IN THICKNESS TO THE TOP PLATE IS REQUIRED

SPECIFICATIONS:

- VERTICALLY AND LATERALLY RESTRAINED SPRING ISOLATOR WITH CONSTANT FREE AND OPERATING HEIGHT AND REPLACEABLE NEOPRENE SNUBBING ELEMENTS.
- MINIMUM COIL OVERLOAD OF 50%.
- MINIMUM Kx/Ky RATIO OF 1.0.
- ALL ELEMENTS SAFE AT SOLID LOADING.
- POWDER COATED COILS AND HOT DIPPED GALVANIZED BRACKET.
- HOUSINGS MAY BE USED FOR BLOCKING DURING EQUIPMENT ERECTION.

*ALL MOUNTING BOLT PATTERNS SYMMETRICAL ABOUT ISOLATOR CENTER-LINE



WELDED TO STEEL — — —
 THROUGH BOLTED · · · · ·
 ANCHORED TO CONCRETE ———

HORIZONTAL FORCE KGS X 100

Computed horiz and vert seismic load combinations must fall within the restraint capacity envelope. Contact KNC for bolted to steel data.



KINETICS NOISE CONTROL, INC
 6300 IRELAN PL,
 DUBLIN, OH 43017 USA
 Ph: 614 889-0480, Fax: 614 889-0540
 www.kineticsnoise.com

Model:
FLS-4-5500 / 11600

By: **JMJ**
 Date: **07/09/02**
 Revised: **5/8/06 / PWM**

Drawing No:
S-01.22-43
 METRIC