

FLS 102 mm DEFLECTION ISOLATOR

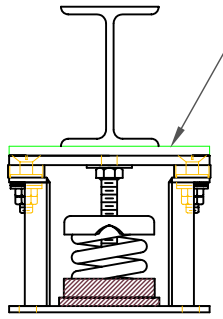
S-I UNITS (mm AND kg)

TYPE	L	W	T	A	B	D	E	F	d	H
4-2250/5800	394	203	6	19	44	17	140	140	17	378

A2, B2, L2, T2 DIMENSIONS REFER TO OPTIONAL BASE-PLATE USED TO INCREASE RATING WHEN ATTACHED TO CONCRETE

STANDARD RATINGS		SPRING COIL					
TYPE	SIZE	COLOR		FREE		RATED	
		OUTER	INNER	HT.	O.D.	LOAD	DEFL.
FLS	4-2250	BEIGE		292	203	1021	102
FLS	4-2500	BEIGE	BLUE	292	203	1134	102
FLS	4-2750	BEIGE	GREEN	292	203	1247	102
FLS	4-3000	BEIGE	BLACK	292	203	1361	102
FLS	4-3250	BEIGE	RED	292	203	1474	102
FLS	4-3500	BEIGE	BROWN	292	203	1588	102
FLS	4-3850	BEIGE	ORANGE	292	203	1746	102
FLS	4-4200	CHROME		292	203	1905	102
FLS	4-4450	CHROME	BLUE	292	203	2018	102
FLS	4-4700	CHROME	GREEN	292	203	2132	102
FLS	4-4950	CHROME	BLACK	292	203	2245	102
FLS	4-5200	CHROME	RED	292	203	2359	102
FLS	4-5450	CHROME	BROWN	292	203	2472	102
FLS	4-5800	CHROME	ORANGE	292	203	2631	102

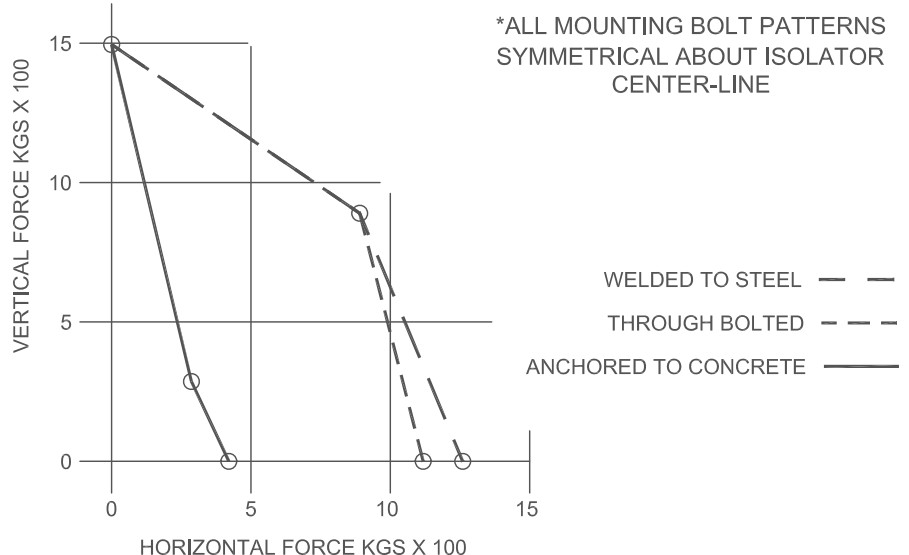
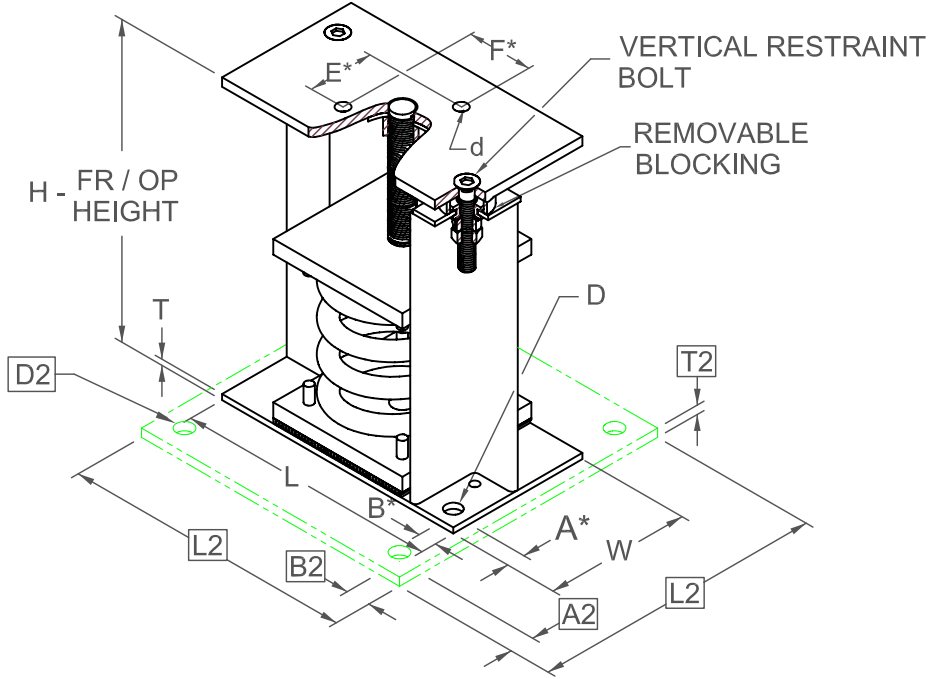
4-2250/5800 REQUIRES 016 DIA. x 102 MIN. EMBED ANCHORS IN CONCRETE (ALLOWABLE LOADS BASED ON 21 MPa MIN CONCRETE)
 4-2250/5800 ANCHOR BOLT TORQUE - 102 N-M, PULL TEST - 1211 kg



IF EQUIP SUPPORT STEEL IS 90° TO THE LONG ISOLATOR AXIS, AN ADD'L PLATE EQUAL IN THICKNESS TO THE TOP PLATE IS REQUIRED

SPECIFICATIONS:

- VERTICALLY AND Laterally RESTRAINED SPRING ISOLATOR WITH CONSTANT FREE AND OPERATING HEIGHT AND REPLACEABLE NEOPRENE SNUBBING ELEMENTS.
- MINIMUM COIL OVERLOAD OF 50%.
- MINIMUM Kx/Ky RATIO OF 1.0.
- ALL ELEMENTS SAFE AT SOLID LOADING.
- POWDER COATED COILS AND HOT DIPPED GALVANIZED BRACKET.
- HOUSINGS MAY BE USED FOR BLOCKING DURING EQUIPMENT ERECTION.



*ALL MOUNTING BOLT PATTERNS SYMMETRICAL ABOUT ISOLATOR CENTER-LINE

Computed horiz and vert seismic load combinations must fall within the restraint capacity envelope. Contact KNC for bolted to steel data.



KINETICS NOISE CONTROL, INC
 6300 IRELAN PL,
 DUBLIN, OH 43017 USA
 Ph: 614 889-0480, Fax: 614 889-0540
 www.kineticsnoise.com

Model:
FLS-4-2250 / 5800

By: **JMJ**
 Date: **07/09/02**
 Revised: **5/8/06 / PWM**

Drawing No:
S-01.22-42 METRIC