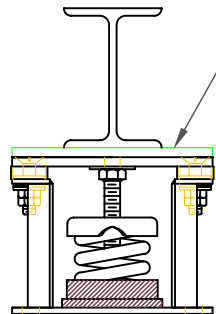


FLS 4" DEFLECTION ISOLATOR IP UNITS (INCHES AND POUNDS)

TYPE	L	W	T	A	B	D	E	F	d	H
4-11000/23200	27.00	17.00	0.75	1.00	1.00	0.81	9.00	9.00	0.69	15.00

STANDARD RATINGS	SPRING COIL						
	COLOR		FREE		RATED		DEFL.
TYPE	SIZE	OUTER	INNER	HT.	O.D.	LOAD	
FLS	4-11000	BEIGE	GREEN	11.50	8.00	11000	4.00
FLS	4-12000	BEIGE	BLACK	11.50	8.00	12000	4.00
FLS	4-13000	BEIGE	RED	11.50	8.00	13000	4.00
FLS	4-14000	BEIGE	BROWN	11.50	8.00	14000	4.00
FLS	4-15400	BEIGE	ORANGE	11.50	8.00	15400	4.00
FLS	4-16800	CHROME		11.50	8.00	16800	4.00
FLS	4-17800	CHROME	BLUE	11.50	8.00	17800	4.00
FLS	4-18800	CHROME	GREEN	11.50	8.00	18800	4.00
FLS	4-19800	CHROME	BLACK	11.50	8.00	19800	4.00
FLS	4-20800	CHROME	RED	11.50	8.00	20800	4.00
FLS	4-21800	CHROME	BROWN	11.50	8.00	21800	4.00
FLS	4-23200	CHROME	ORANGE	11.50	8.00	23200	4.00

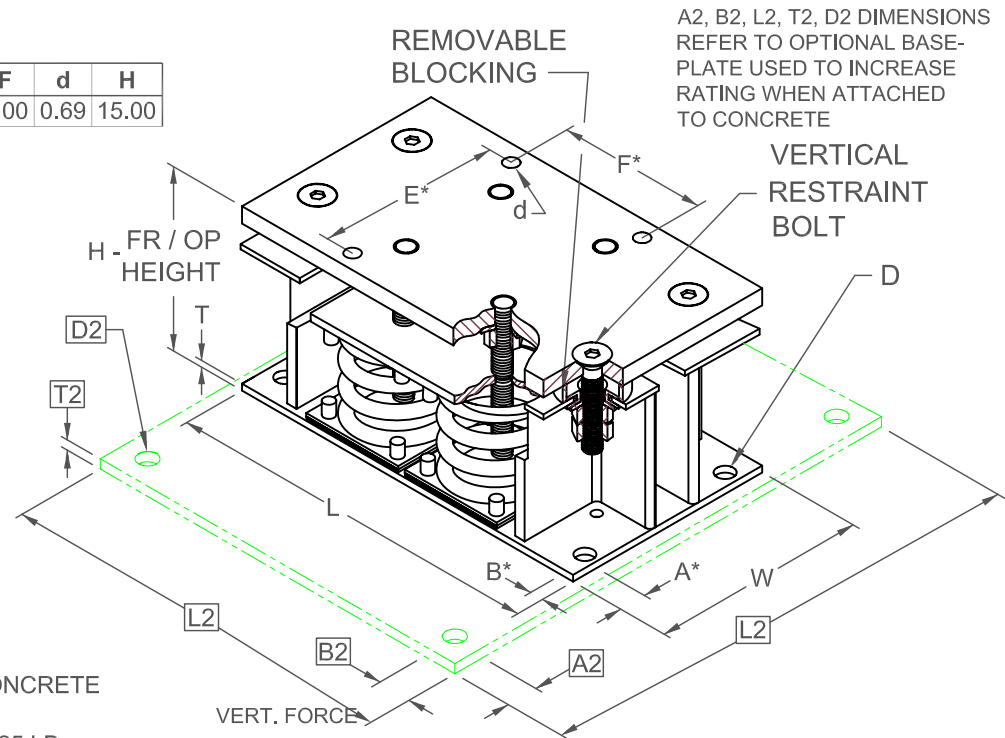
4-11000/23200 REQUIRES 0.75 DIA. x 4.75 MIN. EMBED ANCHORS IN CONCRETE
(ALLOWABLE LOADS BASED ON 3000 PSI MIN CONCRETE)
4-11000/23200 ANCHOR BOLT TORQUE - 150 FT-LB, PULL TEST - 3625 LB



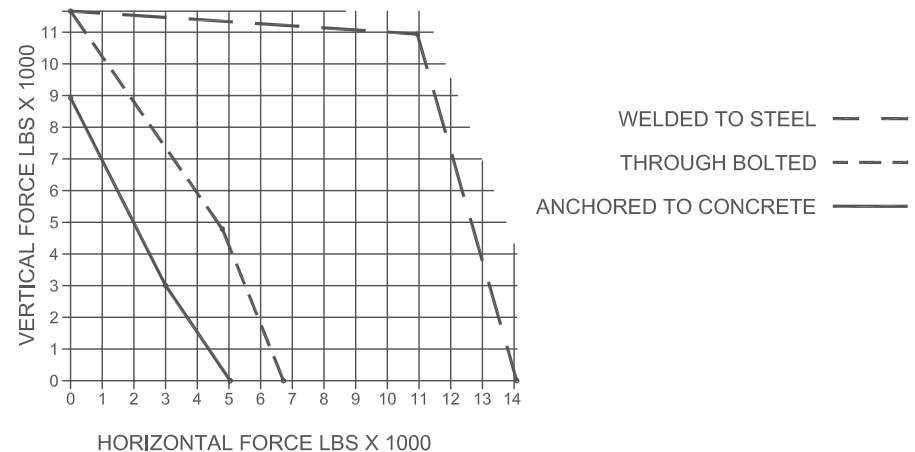
IF EQUIP SUPPORT STEEL IS 90° TO THE LONG ISOLATOR AXIS, AN ADD'L PLATE EQUAL IN THICKNESS TO THE TOP PLATE IS REQUIRED

SPECIFICATIONS:

- VERTICALLY AND Laterally RESTRAINED SPRING ISOLATOR WITH CONSTANT FREE AND OPERATING HEIGHT AND REPLACEABLE NEOPRENE SNUBBING ELEMENTS.
- MINIMUM COIL OVERLOAD OF 50%.
- MINIMUM K_x/K_y RATIO OF 1.0.
- ALL ELEMENTS SAFE AT SOLID LOADING.
- POWDER COATED COILS AND HOT DIPPED GALVANIZED BRACKET.
- HOUSINGS MAY BE USED FOR BLOCKING DURING EQUIPMENT ERECTION.



*ALL MOUNTING BOLT PATTERNS SYMMETRICAL ABOUT ISOLATOR CENTER-LINE



Computed horiz and vert seismic load combinations must fall within the restraint capacity envelope. Contact KNC for bolted to steel data.



KINETICS NOISE CONTROL, INC
6300 IRELAN PL,
DUBLIN, OH 43017 USA
Ph: 614 889-0480, Fax: 614 889-0540
www.kineticsnoise.com

Model:
**FLS-4-
11000 / 23200**

By: **JMJ**
Date: **07/09/02**
Revised: **5-8-06 / PWM**

Drawing No:
S-01.22-44