

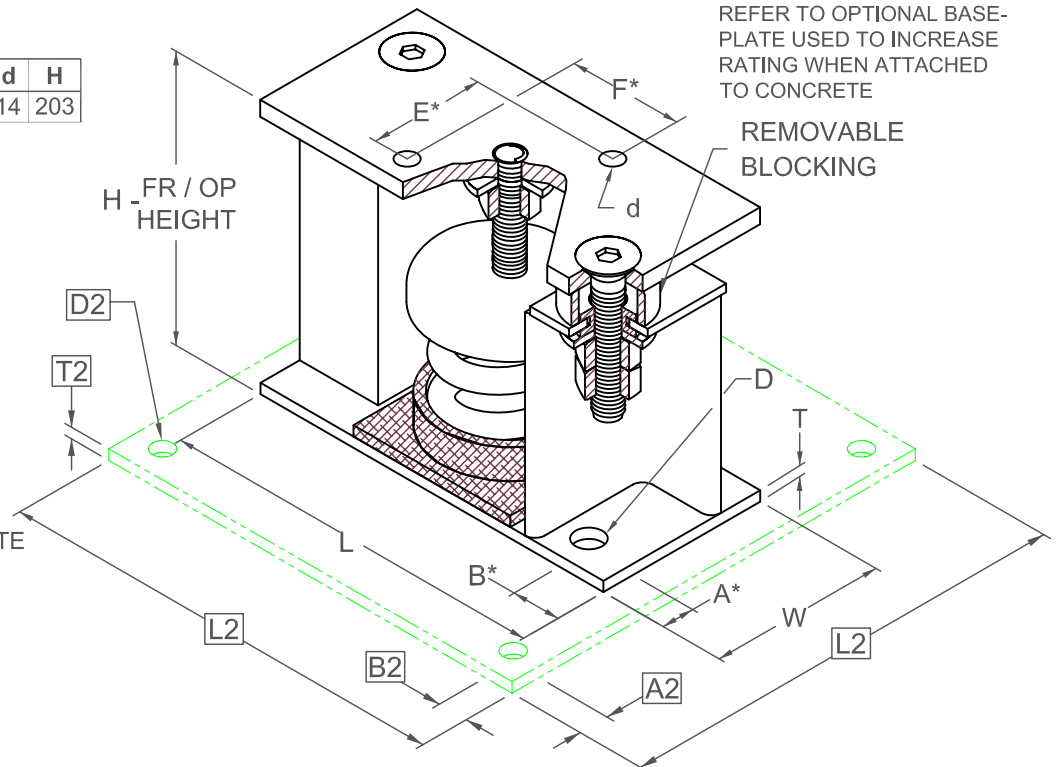
# FLS 51 mm DEFLECTION ISOLATOR

S-I UNITS (mm AND kg)

TYPE	L	W	T	A	B	D	E	F	d	H
2-100/1975	229	127	6	19	19	17	70	70	14	203

STANDARD RATINGS	SPRING COIL							
	TYPE	SIZE	COLOR		FREE		RATED	
			OUTER	INNER	HT.	O.D.	LOAD	DEFL.
FLS	2-100	GRAY		155	89	45	51	
FLS	2-250	BLUE		155	89	113	51	
FLS	2-500	GREEN		155	89	227	51	
FLS	2-750	BLACK		155	89	340	51	
FLS	2-995	ORANGE		155	89	451	51	
FLS	2-1400	ORANGE	GREEN	155	89	635	51	
FLS	2-1600	RED		155	89	726	51	
FLS	2-1975	RED	GREEN	155	89	896	50	

2-100/1975 REQUIRES 16 DIA x 102 MIN EMBED ANCHORS IN CONCRETE (ALLOWABLE LOADS BASED ON 20700 KPA IN CONCRETE)  
 2-100/1975 ANCHOR BOLT TORQUE - 102 N-M, PULL TEST - 1211 KG



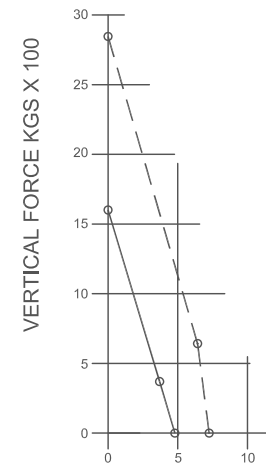
A2, B2, L2, T2, D2 DIMENSIONS REFER TO OPTIONAL BASE-PLATE USED TO INCREASE RATING WHEN ATTACHED TO CONCRETE

REMOVABLE BLOCKING

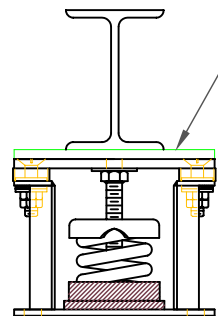
H - FR / OP HEIGHT

\*ALL MOUNTING BOLT PATTERNS SYMMETRICAL ABOUT ISOLATOR CENTER-LINE

THROUGH BOLTED OR WELDED - - -  
 ANCHORED TO CONCRETE - - -



Computed horiz and vert seismic load combinations must fall within the restraint capacity envelope. Contact KNC for bolted to steel data.



IF EQUIP SUPPORT STEEL IS 90° TO THE LONG ISOLATOR AXIS, AN ADD'L PLATE EQUAL IN THICKNESS TO THE TOP PLATE IS REQUIRED

### SPECIFICATIONS:

- VERTICALLY AND LATERALLY RESTRAINED SPRING ISOLATOR WITH CONSTANT FREE AND OPERATING HEIGHT AND REPLACEABLE NEOPRENE SNUBBING ELEMENTS.
- MINIMUM COIL OVERLOAD OF 50%.
- MINIMUM  $K_x/K_y$  RATIO OF 1.0.
- ALL ELEMENTS SAFE AT SOLID LOADING.
- POWDER COATED COILS AND HOT DIPPED GALVANIZED BRACKET.
- HOUSINGS MAY BE USED FOR BLOCKING DURING EQUIPMENT ERECTION.



KINETICS NOISE CONTROL, INC  
 6300 IRELAN PL,  
 DUBLIN, OH 43017 USA  
 Ph: 614 889-0480, Fax: 614 889-0540  
 www.kineticsnoise.com

Model:  
**FLS-2-100 / 1975**

By: **JMJ**  
 Date: **07/09/02**  
 Revised: **5/5/06 / PWM**

Drawing No:  
**S-01.22-21**  
 METRIC