

FLS 25 mm DEFLECTION ISOLATOR

S-I UNITS (mm AND kg)

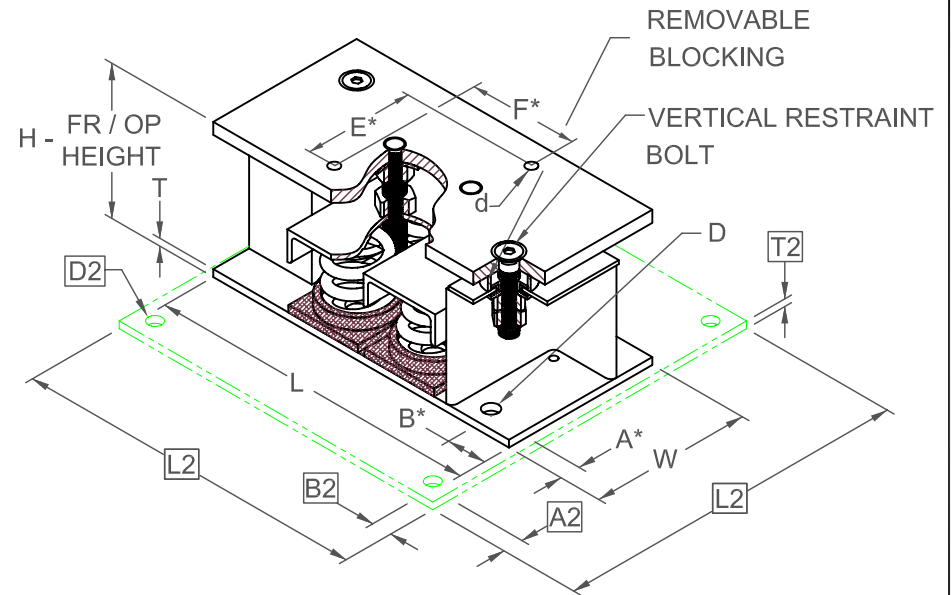
TYPE	L	W	T	A	B	D	E	F	d	H
1-5000/14000	419	203	10	25	51	21	140	140	17	191

A2, B2, L2, T2, D2 DIMENSIONS REFER TO OPTIONAL BASE-PLATE USED TO INCREASE RATING WHEN ATTACHED TO CONCRETE

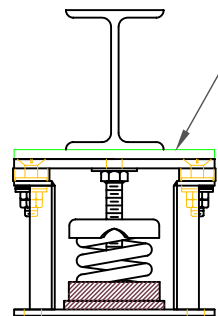
STANDARD RATINGS		SPRING COIL					
TYPE	SIZE	COLOR		FREE		RATED	
		OUTER	INNER	HT.	O.D.	LOAD	DEFL.
FLS	1-5000	BROWN		107	76	2268	28
FLS	1-6800	ORANGE		107	76	3084	24
FLS	1-8800	ORANGE	GRAY	107	76	3992	26
FLS	1-9860	BLUE		107	76	4472	25
FLS	1-11460	BLUE	GRAY	107	76	5198	25
FLS	1-14000	BLUE	BROWN	107	76	6350	25

1-5000/14000 REQUIRES 19 DIA. x 119 MIN EMBED ANCHORS IN CONCRETE (ALLOWABLE LOADS BASED ON 20700 kPA MIN CONCRETE)

1-5000/14000 ANCHOR BOLT TORQUE - 203 N-M, PULL TEST - 1644 KG



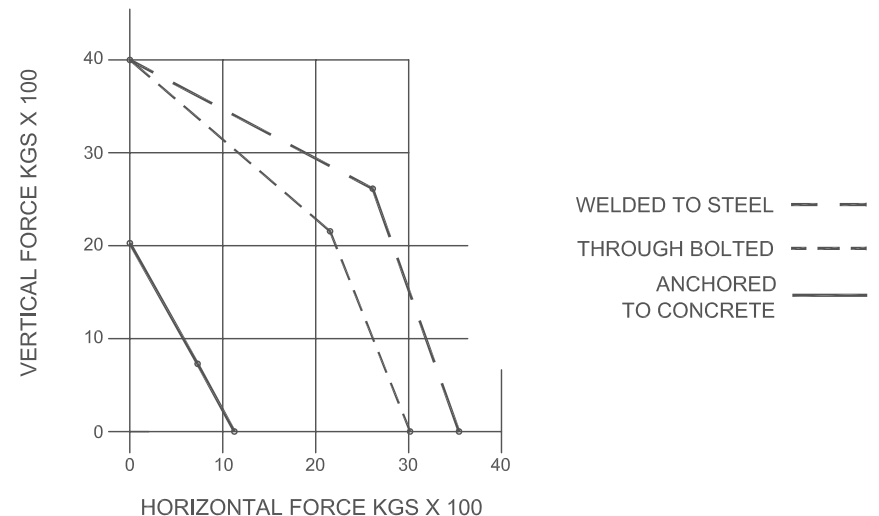
*ALL MOUNTING BOLT PATTERNS SYMMETRICAL ABOUT ISOLATOR CENTER-LINE



IF EQUIP SUPPORT STEEL IS 90° TO THE LONG ISOLATOR AXIS, AN ADD'L PLATE EQUAL IN THICKNESS TO THE TOP PLATE IS REQUIRED

SPECIFICATIONS:

- VERTICALLY AND Laterally RESTRAINED SPRING ISOLATOR WITH CONSTANT FREE AND OPERATING HEIGHT AND REPLACEABLE NEOPRENE SNUBBING ELEMENTS.
- MINIMUM COIL OVERLOAD OF 50%.
- MINIMUM K_x/K_y RATIO OF 1.0.
- ALL ELEMENTS SAFE AT SOLID LOADING.
- POWDER COATED COILS AND HOT DIPPED GALVANIZED BRACKET.
- HOUSINGS MAY BE USED FOR BLOCKING DURING EQUIPMENT ERECTION.



Computed horiz and vert seismic load combinations must fall within the restraint capacity envelope. Contact KNC for bolted to steel data.



KINETICS NOISE CONTROL, INC
6300 IRELAN PL,
DUBLIN, OH 43017 USA
Ph: 614 889-0480, Fax: 614 889-0540
www.kineticsnoise.com

Model:
FLS-1-
5000 / 14000

By: JMJ
Date: 07/09/02
Revised: 4/14/06 / PWM

Drawing No:
S-01.22-13
METRIC