

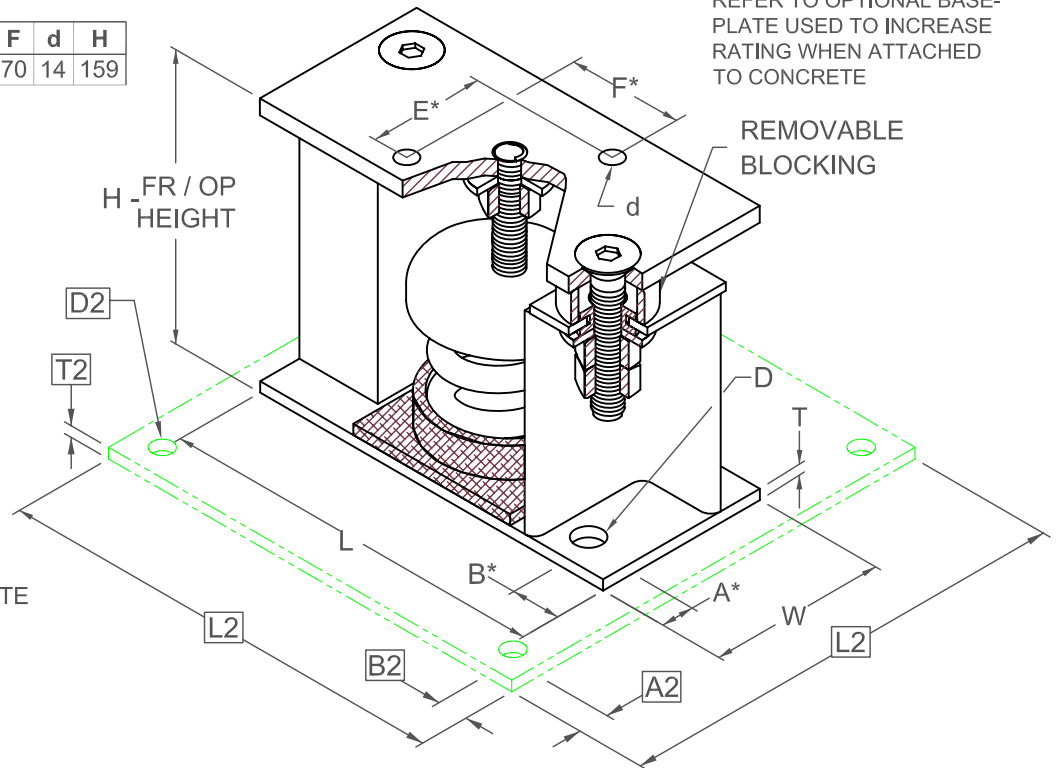
FLS 25 mm DEFLECTION ISOLATOR

S-I UNITS (mm AND kg)

TYPE	L	W	T	A	B	D	E	F	d	H
1-250/3500	222	102	6	19	29	17	70	70	14	159

A2, B2, L2, T2, D2 DIMENSIONS REFER TO OPTIONAL BASE-PLATE USED TO INCREASE RATING WHEN ATTACHED TO CONCRETE

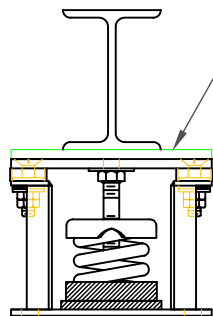
STANDARD RATINGS		SPRING COIL					
TYPE	SIZE	COLOR		FREE	O.D.	RATED	
		OUTER	INNER	HT.		LOAD	DEFL.
FLS	1-250	BLUE		107	76	113	45
FLS	1-450	GREEN		107	76	204	39
FLS	1-625	BLACK		107	76	283	37
FLS	1-800	GRAY		107	76	363	33
FLS	1-1000	RED		107	76	454	29
FLS	1-1250	BROWN		107	76	567	28
FLS	1-1700	ORANGE		107	76	771	24
FLS	1-2200	ORANGE	GRAY	107	76	998	26
FLS	1-2465	BLUE		107	76	1118	25
FLS	1-2865	BLUE	GRAY	107	76	1300	25
FLS	1-3500	BLUE	BROWN	107	76	1588	25



1-250/3500 REQUIRES 16 DIA x 102 MIN EMBED ANCHORS IN CONCRETE

(ALLOWABLE LOADS BASED ON 20700 KPA MIN CONCRETE)

1-250/3500 ANCHOR BOLT TORQUE - 102 NM, PULL TEST - 1211 KG

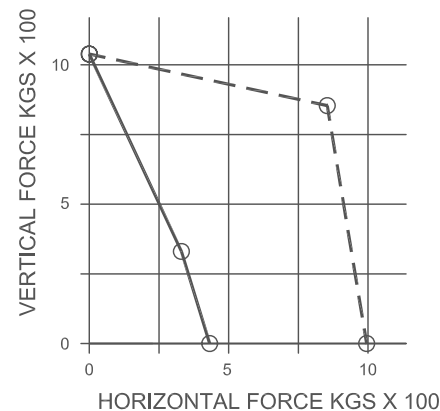


IF EQUIP SUPPORT STEEL IS 90° TO THE LONG ISOLATOR AXIS, AN ADD'L PLATE EQUAL IN THICKNESS TO THE TOP PLATE IS REQUIRED

SPECIFICATIONS:

- VERTICALLY AND LATERALLY RESTRAINED SPRING ISOLATOR WITH CONSTANT FREE AND OPERATING HEIGHT AND REPLACEABLE NEOPRENE SNUBBING ELEMENTS.
- MINIMUM COIL OVERLOAD OF 50%.
- MINIMUM Kx/Ky RATIO OF 1.0.
- ALL ELEMENTS SAFE AT SOLID LOADING.
- POWDER COATED COILS AND HOT DIPPED GALVANIZED BRACKET.
- HOUSINGS MAY BE USED FOR BLOCKING DURING EQUIPMENT ERECTION.

*ALL MOUNTING BOLT PATTERNS SYMMETRICAL ABOUT ISOLATOR CENTER-LINE



Computed horiz and vert seismic load combinations must fall within the restraint capacity envelope. Contact KNC for bolted to steel data.



KINETICS NOISE CONTROL, INC
6300 IRELAN PL,
DUBLIN, OH 43017 USA
Ph: 614 889-0480, Fax: 614 889-0540
www.kineticsnoise.com

Model:
**FLS-1-
250 / 3500**

By: **JMJ**
Date: **07/10/02**
Revised: **5/5/06 / PWM**

Drawing No:
**S-01.22-11
METRIC**