

**FHS 1" DEFLECTION SEISMIC ISOLATOR
IP UNITS (INCHES AND POUNDS)**

TYPE	L	W	T	A	D	E	H	Z
1-35/805	7.31	3.00	0.38	0.69	0.44	1.50	6.00	0.50
1-250/1000	9.53	5.00	0.38	0.88	0.81	2.50	7.56	0.63
1-1250/3500	9.53	5.00	0.38	0.88	0.81	2.50	7.56	0.63

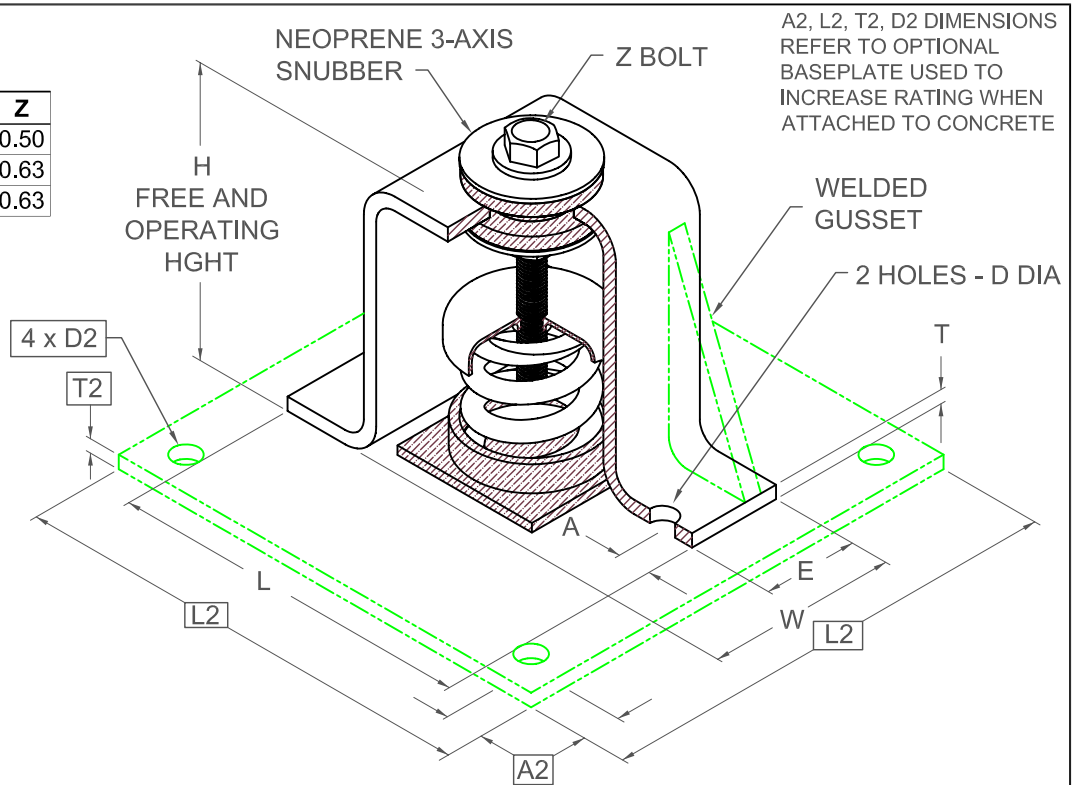
STANDARD RATINGS		SPRING COIL					
TYPE	SIZE	COLOR		FREE		RATED	
		OUTER	INNER 1	HT.	O.D.	LOAD	DEFL.
FHS	1-35	BLUE		3.19	1.75	35	1.52
FHS	1-70	GREEN		3.19	1.75	70	1.36
FHS	1-120	GRAY		3.19	1.75	120	1.18
FHS	1-220	BROWN		3.19	1.75	220	1.07
FHS	1-370	ORANGE		3.19	1.75	370	0.96
FHS	1-500	BEIGE		3.19	1.75	500	1.00
FHS	1-600	CHROME		3.19	1.75	600	1.00
FHS	1-700	BEIGE	WHITE	3.19	1.75	700	1.00
FHS	1-805	CHROME	WHITE	3.19	1.75	805	1.01
FHS	1-250	BLUE		4.20	3.00	250	1.79
FHS	1-450	GREEN		4.20	3.00	450	1.54
FHS	1-625	BLACK		4.20	3.00	625	1.44
FHS	1-800	GRAY		4.20	3.00	800	1.31
FHS	1-1000	RED		4.20	3.00	1000	1.15
FHS	1-1250	BROWN		4.20	3.00	1250	1.09
FHS	1-1700	ORANGE		4.20	3.00	1700	0.95
FHS	1-2200	ORANGE	GRAY	4.20	3.00	2200	1.00
*FHS	1-2465	BLUE		4.20	3.00	2465	1.00
*FHS	1-2865	BLUE	GRAY	4.20	3.00	2865	1.00
*FHS	1-3500	BLUE	BROWN	4.20	3.00	3500	1.00

* INCLUDES WELDED GUSSET AS SHOWN

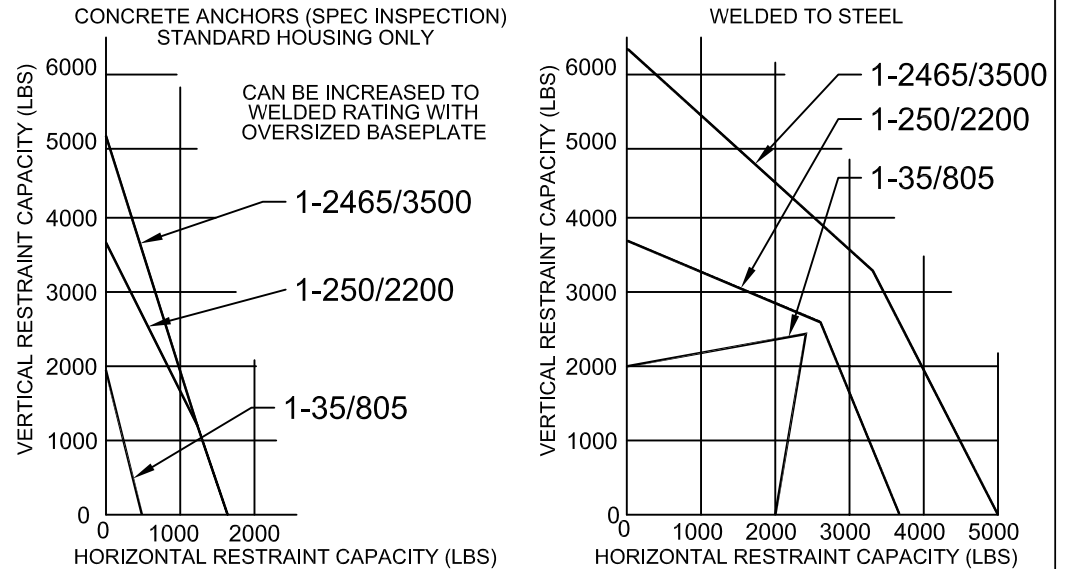
1-35/805 REQUIRES 0.38 DIA x 2.50 MIN EMBED ANCHORS IN CONCRETE
 1-250/3500 REQUIRES 0.75 DIA x 4.75 MIN EMBED ANCHORS IN CONCRETE
 (ALLOWABLE LOADS BASED ON 3000 PSI MIN CONCRETE)
 1-35/805 ANCHOR BOLT TORQUE - 20 FT-LBS, PULL TEST - 1210 LBS
 1-250/3500 ANCHOR BOLT TORQUE - 150 FT-LBS, PULL TEST - 3625 LBS

SPECIFICATIONS:

- VERTICALLY AND LATERALLY RESTRAINED SPRING ISOLATOR WITH CONSTANT FREE AND OPERATING HEIGHT AND REPLACEABLE NEOPRENE SNUBBING ELEMENTS.
- 6mm NOMINAL CLEARANCE IN SNUBBING ELEMENTS.
- MINIMUM OVERLOAD OF 50%.
- MINIMUM Kx/Ky RATIO OF 1.0.
- ALL ELEMENTS SAFE AT SOLID LOADING.
- POWDER COATED COILS AND HOT DIPPED GALVANIZED BRACKET
- OSHPD APPROVAL NUMBER R-0433



A2, L2, T2, D2 DIMENSIONS REFER TO OPTIONAL BASEPLATE USED TO INCREASE RATING WHEN ATTACHED TO CONCRETE



Computed horiz and vert seismic load combinations must fall within the restraint capacity envelope. Contact KNC for bolted to steel data.



KINETICS NOISE CONTROL, INC
 6300 IRELAN PL,
 DUBLIN, OH 43017 USA
 Ph: 614 889-0480, Fax: 614 889-0540
 www.kineticsnoise.com

Model:
FHS-1

By: PWM
 Date: 10/24/01
 Revised: 01/20/04 / JJ

Drawing No:
S-01.35-11