

FHS 25 mm DEFLECTION ISOLATOR

S-I UNITS (mm AND kg)

TYPE	L	W	T	A	D	E	H	Z
1-35/805	186	76	10	17	11	38	152	13
1-250/1000	242	127	10	22	21	64	192	16
1-1250/3500	242	127	10	22	21	64	192	16

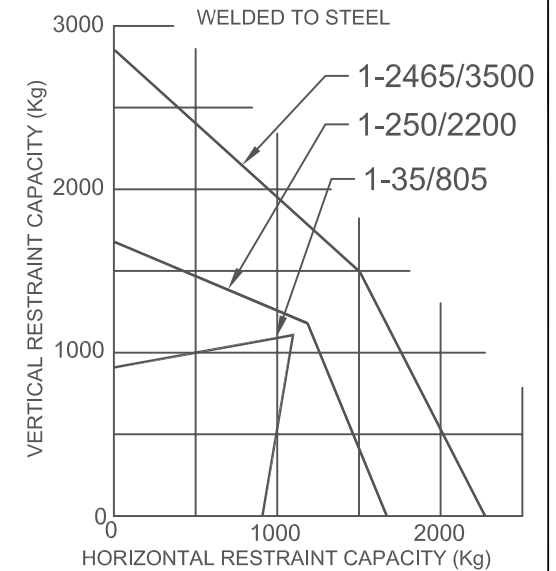
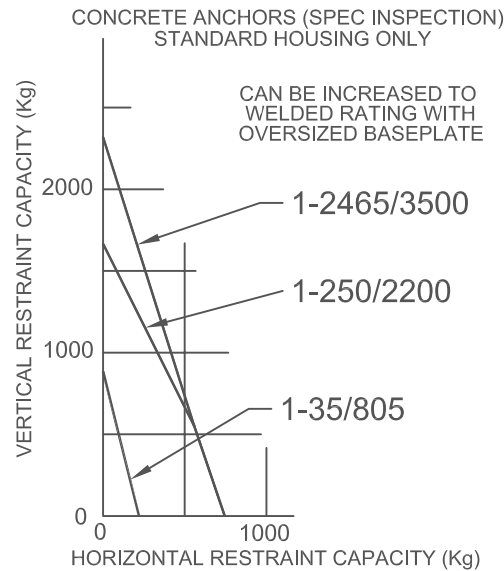
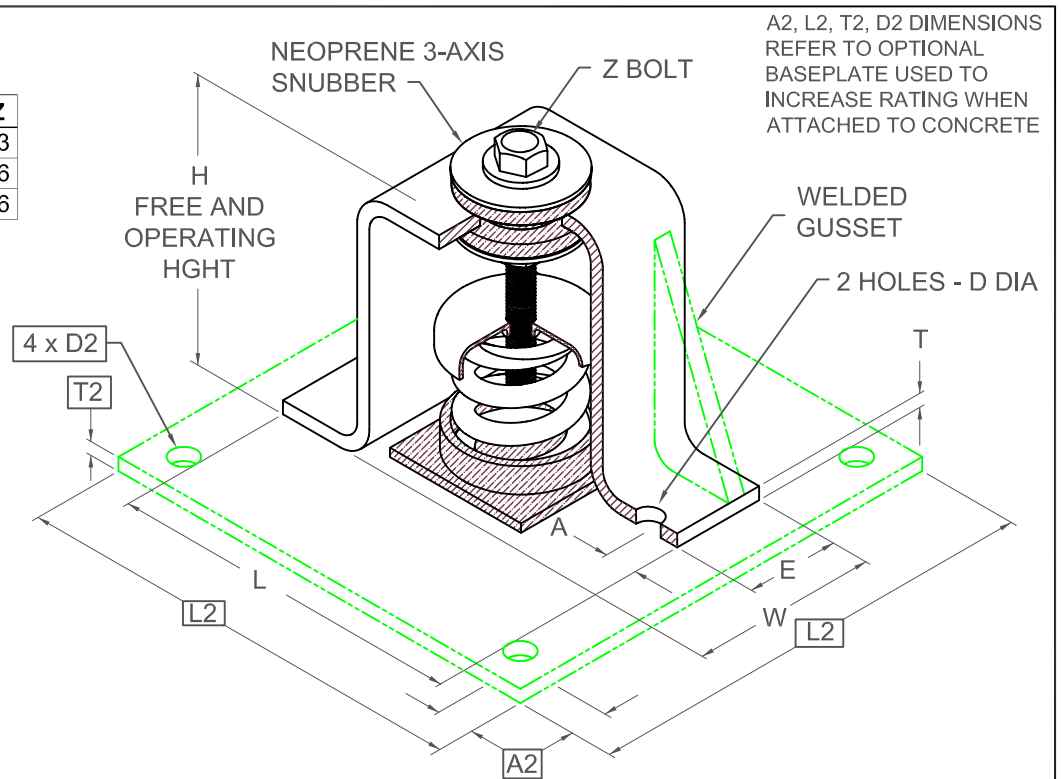
STANDARD RATINGS		SPRING COIL					
TYPE	SIZE	COLOR		FREE		RATED	
		OUTER	INNER 1	HT.	O.D.	LOAD	DEFL.
FHS	1-35	BLUE		81	44	16	39
FHS	1-70	GREEN		81	44	32	35
FHS	1-120	GRAY		81	44	54	30
FHS	1-220	BROWN		81	44	100	27
FHS	1-370	ORANGE		81	44	168	24
FHS	1-500	BEIGE		81	44	227	25
FHS	1-600	CHROME		81	44	272	25
FHS	1-700	BEIGE	WHITE	81	44	318	25
FHS	1-805	CHROME	WHITE	81	44	365	26
FHS	1-250	BLUE		107	76	113	45
FHS	1-450	GREEN		107	76	204	39
FHS	1-625	BLACK		107	76	283	37
FHS	1-800	GRAY		107	76	363	33
FHS	1-1000	RED		107	76	454	29
FHS	1-1250	BROWN		107	76	567	28
FHS	1-1700	ORANGE		107	76	771	24
FHS	1-2200	ORANGE	GRAY	107	76	998	26
*FHS	1-2465	BLUE		107	76	1118	25
*FHS	1-2865	BLUE	GRAY	107	76	1300	25
*FHS	1-3500	BLUE	BROWN	107	76	1588	25

*INCLUDES WELDED GUSSET AS SHOWN

- 1-35/805 REQUIRES 10 DIA x 64 MIN EMBED ANCHORS IN CONCRETE
- 1-250/3500 REQUIRES 18 DIA x 120 MIN EMBED ANCHORS IN CONCRETE (ALLOWABLE LOADS BASED ON 20700 kPa MIN CONCRETE)
- 1-35/805 ANCHOR BOLT TORQUE - 34 NM, PULL TEST - 550 Kg
- 1-250/3500 ANCHOR BOLT TORQUE - 202 NM, PULL TEST - 1650 Kg

SPECIFICATIONS:

- VERTICALLY AND Laterally RESTRAINED SPRING ISOLATOR WITH CONSTANT FREE AND OPERATING HEIGHT AND REPLACEABLE NEOPRENE SNUBBING ELEMENTS.
- 6mm NOMINAL CLEARANCE IN SNUBBING ELEMENTS.
- MINIMUM OVERLOAD OF 50%.
- MINIMUM Kx/Ky RATIO OF 1.0.
- ALL ELEMENTS SAFE AT SOLID LOADING.
- POWDER COATED COILS AND HOT DIPPED GALVANIZED BRACKET
- OSHPD APPROVAL NUMBER R-0433



Computed horiz and vert seismic load combinations must fall within the restraint capacity envelope. Contact KNC for bolted to steel data.



KINETICS NOISE CONTROL, INC
6300 IRELAN PL,
DUBLIN, OH 43017 USA
Ph: 614 889-0480, Fax: 614 889-0540
www.kineticsnoise.com

Model:
FHS-1

By: PWM
Date: 10/24/01
Revised: 09/13/02 / BB

Drawing No:
S-01.35-11(M)