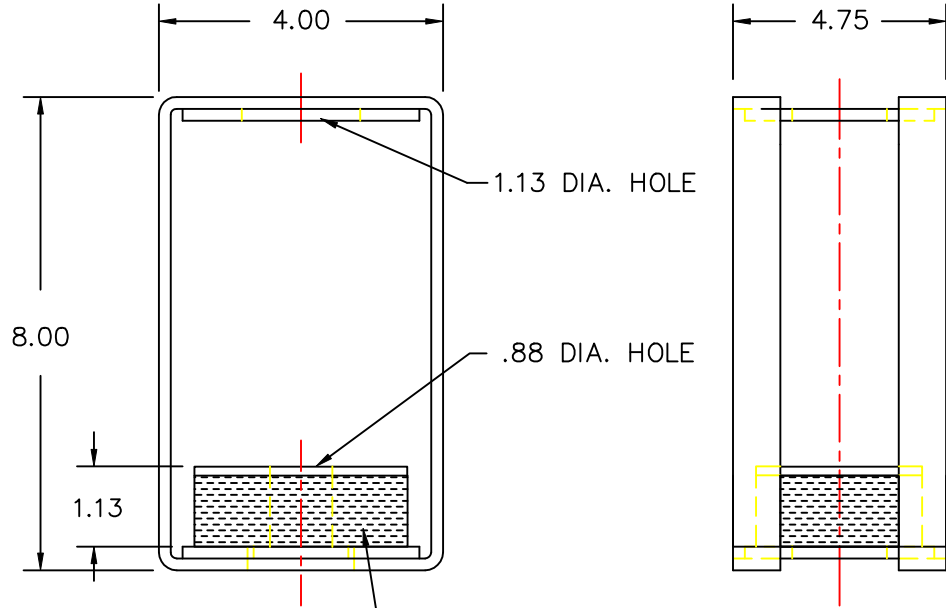


HANGER MODEL	RATED LOAD POUNDS	RATED DEFL. INCHES
FH-900C	250 / 900	.18



PRECOMPRESSED MOLDED FIBERGLASS INSERT

FH-C ISOLATION HANGERS HAVE A TYPICAL OVERLOAD CAPACITY OF 50%
 FH-C HANGER BRACKETS WILL CARRY (5) TIMES OVERLOAD WITHOUT FAILURE
 FH-C HANGER BRACKETS WILL ALLOW 30° ROD MISALIGNMENT WITHOUT SHORT CIRCUITING
 FH-C HANGER BRACKETS ARE PAINTED.
 LOAD PLATES ARE BRIGHT ZINC PLATED.



TITLE
 MODEL FH-C HANGER

LAST DATE REVISED
 4/16/96

DRAWN BY
 DW

DRAWING NO. S-DWG
 S-03.39-2B