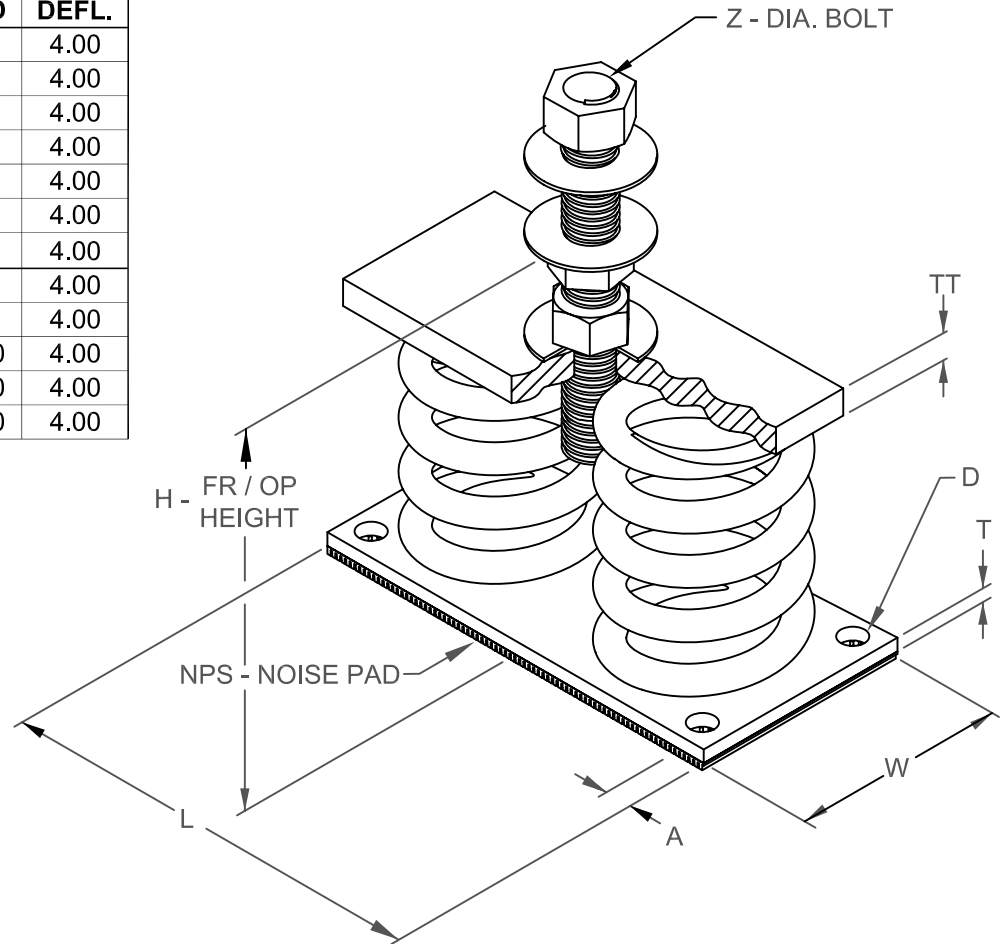


**FDS 4" DEFLECTION ISOLATOR
IP UNITS (INCHES AND POUNDS)**

TYPE	L	W	T	A	D	H	TT	Z
4-5500B/8900B	18.50	8.00	0.60	0.75	0.69	16.00	1.00	1.25
4-9400B/11600B	18.50	8.00	0.60	0.75	0.69	16.00	1.25	1.25

STANDARD RATINGS		SPRING COIL					
TYPE	SIZE	COLOR		FREE	O.D.	RATED	
		OUTER	INNER	HT.		LOAD	DEFL.
FDS	4-5500B	GRAY	GRAY	11.50	8.00	5500	4.00
FDS	4-6000B	GRAY	GRAY	11.50	8.00	6000	4.00
FDS	4-6500B	GRAY	GRAY	11.50	8.00	6500	4.00
FDS	4-7000B	GRAY	GRAY	11.50	8.00	7000	4.00
FDS	4-7700B	GRAY	GRAY	11.50	8.00	7700	4.00
FDS	4-8400B	GRAY		11.50	8.00	8400	4.00
FDS	4-8900B	GRAY	GRAY	11.50	8.00	8900	4.00
FDS	4-9400B	GRAY	GRAY	11.50	8.00	9400	4.00
FDS	4-9900B	GRAY	GRAY	11.50	8.00	9900	4.00
FDS	4-10400B	GRAY	GRAY	11.50	8.00	10400	4.00
FDS	4-10900B	GRAY	GRAY	11.50	8.00	10900	4.00
FDS	4-11600B	GRAY	GRAY	11.50	8.00	11600	4.00



SPECIFICATIONS:

- LOAD PLATES ARE AFFIXED TO COIL SPRING
- FREE STANDING COIL SPRING ISOLATOR
- PAINTED SPRING ELEMENT
- OTHER METALLIC COMPONENTS BRIGHT ZINC PLATED
- MINIMUM OVERLOAD OF 50%
- MINIMUM Kx/Ky RATIO OF 1.0
- ALL ELEMENTS SAFE AT SOLID LOADING
- ALL THREADED MEMBERS ARE AMERICAN STANDARD



KINETICS NOISE CONTROL, INC
6300 IRELAN PL,
DUBLIN, OH 43017 USA
Ph: 614 889-0480, Fax: 614 889-0540
www.kineticsnoise.com

Model:
**FDS-4-
5500B/11600B**

By: **JMJ**
Date: **04/19/02**
Revised: **06/19/03 / JMJ**

Drawing No:
S-01.20-43