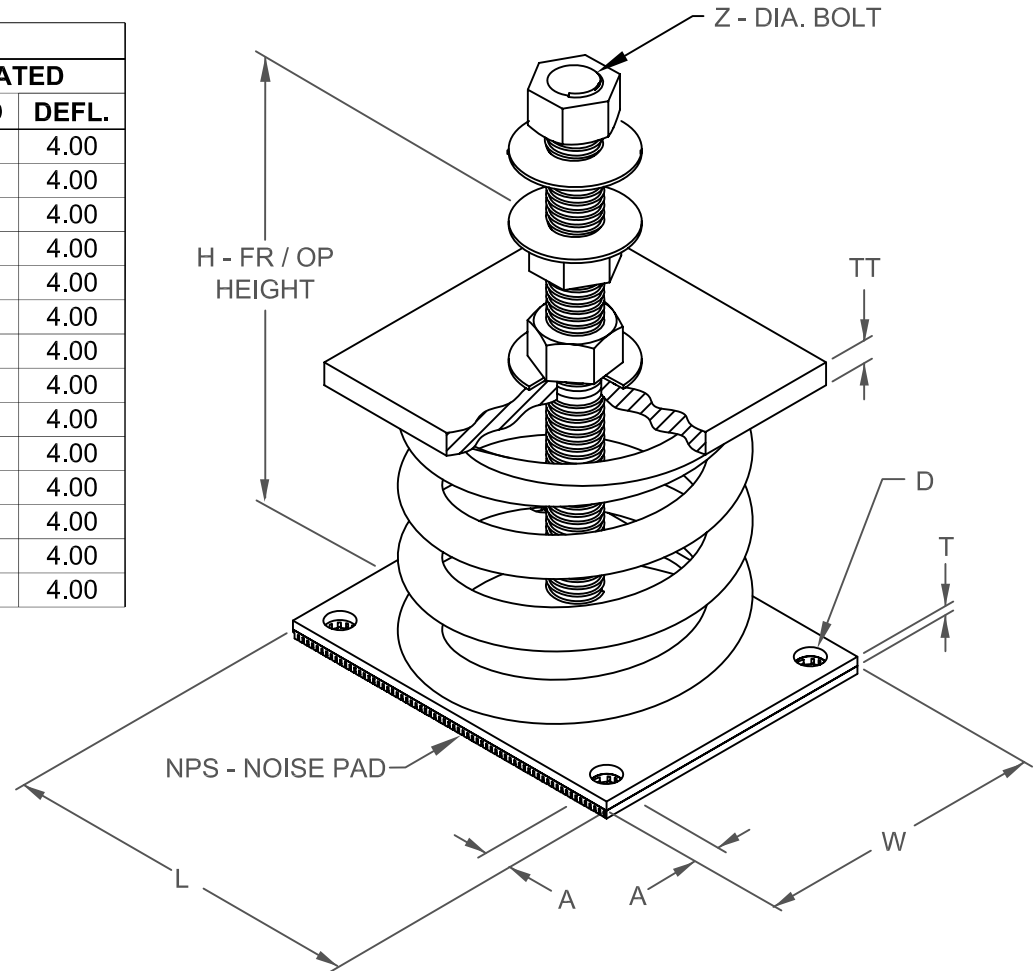


FDS 4" DEFLECTION ISOLATOR
IP UNITS (INCHES AND POUNDS)

TYPE	L	W	T	A	D	H	TT	Z
4-2250B/5800B	10.00	8.00	0.47	0.75	0.69	15.25	0.63	1.25

STANDARD RATINGS		SPRING COIL					
TYPE	SIZE	COLOR		FREE		RATED	
		OUTER	INNER	HT.	O.D.	LOAD	DEFL.
FDS	4-2250B	GRAY		11.50	8.00	2250	4.00
FDS	4-2500B	GRAY	GRAY	11.50	8.00	2500	4.00
FDS	4-2750B	GRAY	GRAY	11.50	8.00	2750	4.00
FDS	4-3000B	GRAY	GRAY	11.50	8.00	3000	4.00
FDS	4-3250B	GRAY	GRAY	11.50	8.00	3250	4.00
FDS	4-3500B	GRAY	GRAY	11.50	8.00	3500	4.00
FDS	4-3850B	GRAY	GRAY	11.50	8.00	3850	4.00
FDS	4-4200B	GRAY		11.50	8.00	4200	4.00
FDS	4-4450B	GRAY	GRAY	11.50	8.00	4450	4.00
FDS	4-4700B	GRAY	GRAY	11.50	8.00	4700	4.00
FDS	4-4950B	GRAY	GRAY	11.50	8.00	4950	4.00
FDS	4-5200B	GRAY	GRAY	11.50	8.00	5200	4.00
FDS	4-5450B	GRAY	GRAY	11.50	8.00	5450	4.00
FDS	4-5800B	GRAY	GRAY	11.50	8.00	5800	4.00



SPECIFICATIONS:

- LOAD PLATES ARE AFFIXED TO COIL SPRINGS
- FREE STANDING COIL SPRING ISOLATOR
- PAINTED SPRING ELEMENTS
- OTHER METALLIC COMPONENTS BRIGHT ZINC PLATED
- MINIMUM OVERLOAD OF 50%
- MINIMUM Kx/Ky RATIO OF 1.0
- ALL ELEMENTS SAFE AT SOLID LOADING
- ALL THREADED MEMBERS ARE AMERICAN STANDARD



KINETICS NOISE CONTROL, INC
 6300 IRELAN PL,
 DUBLIN, OH 43017 USA
 Ph: 614 889-0480, Fax: 614 889-0540
 www.kineticsnoise.com

Model:
FDS-4-2250B/5800B

By: **JMJ**
 Date: **04/12/02**
 Revised: **6/19/03 / JMJ**

Drawing No:
S-01.20-42