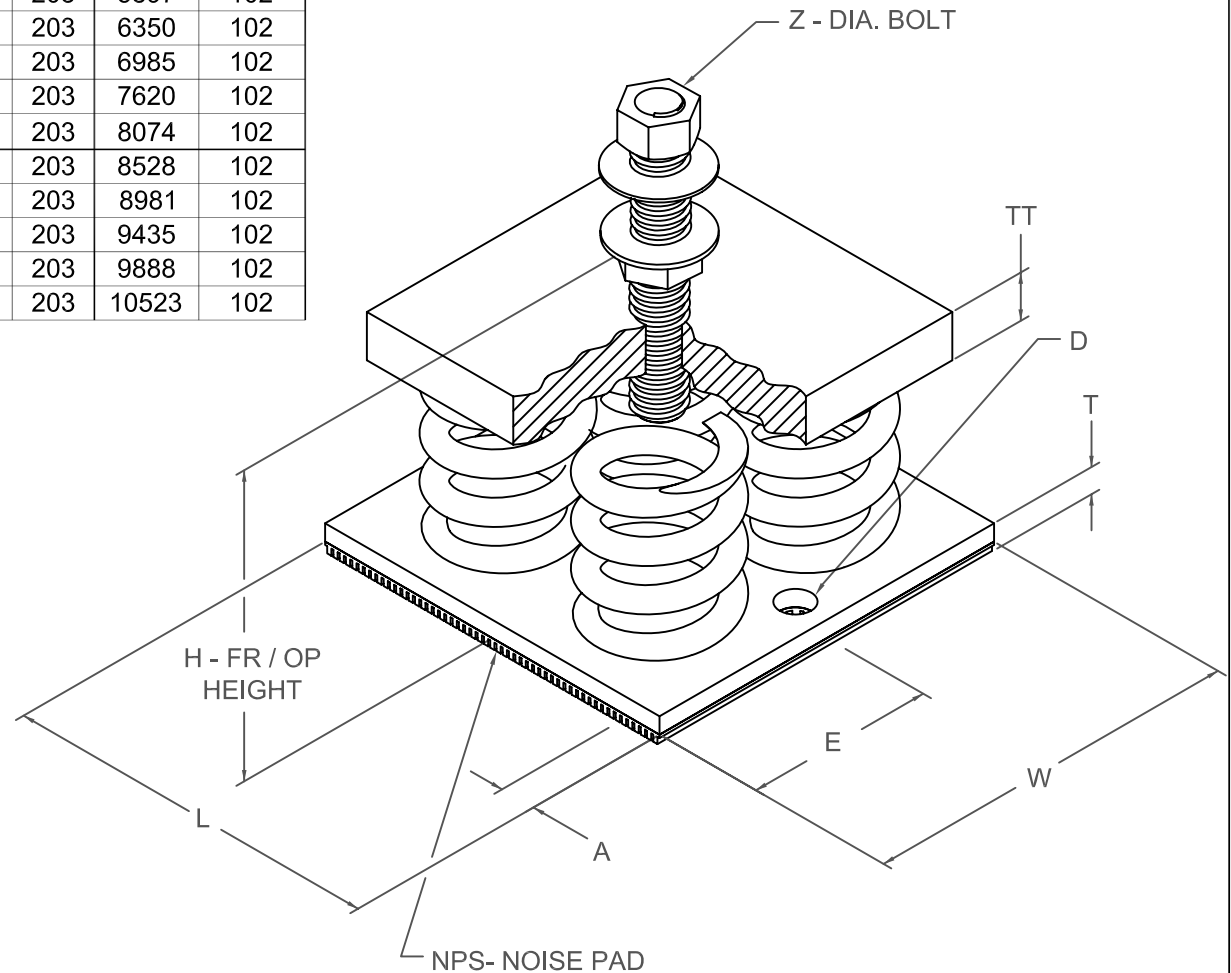


FDS 102 mm DEFLECTION ISOLATOR

S-I UNITS (mm AND kg)

TYPE	L	W	T	A	D	H	TT	Z
4-11000B/17800B	457	406	18	22	21	425	35	38
4-18800B/23200B	457	406	18	22	21	438	38	44

STANDARD RATINGS		SPRING COIL					
TYPE	SIZE	COLOR		FREE		RATED	
		OUTER	INNER	HT.	O.D.	LOAD	DEFL.
FDS	4-11000B	GRAY	GRAY	292	203	4990	102
FDS	4-12000B	GRAY	GRAY	292	203	5443	102
FDS	4-13000B	GRAY	GRAY	292	203	5897	102
FDS	4-14000B	GRAY	GRAY	292	203	6350	102
FDS	4-15400B	GRAY	GRAY	292	203	6985	102
FDS	4-16800B	GRAY		292	203	7620	102
FDS	4-17800B	GRAY	GRAY	292	203	8074	102
FDS	4-18800B	GRAY	GRAY	292	203	8528	102
FDS	4-19800B	GRAY	GRAY	292	203	8981	102
FDS	4-20800B	GRAY	GRAY	292	203	9435	102
FDS	4-21800B	GRAY	GRAY	292	203	9888	102
FDS	4-23200B	GRAY	GRAY	292	203	10523	102



SPECIFICATIONS:

- LOAD PLATES ARE AFFIXED TO COIL SPRING
- FREE STANDING COIL SPRING ISOLATOR
- PAINTED SPRING ELEMENT
- OTHER METALLIC COMPONENTS BRIGHT ZINC PLATED
- MINIMUM OVERLOAD OF 50%
- MINIMUM Kx/Ky RATIO OF 1.0
- ALL ELEMENTS SAFE AT SOLID LOADING
- ALL THREADED MEMBERS ARE AMERICAN STANDARD



KINETICS NOISE CONTROL, INC
 6300 IRELAN PL,
 DUBLIN, OH 43017 USA
 Ph: 614 889-0480, Fax: 614 889-0540
 www.kineticsnoise.com

Model:
FDS-4-11000B/23200B

By: **JMJ**
 Date: **04/19/02**
 Revised: **01/09/04 / JMJ**

Drawing No:
S-01.20-44(M)