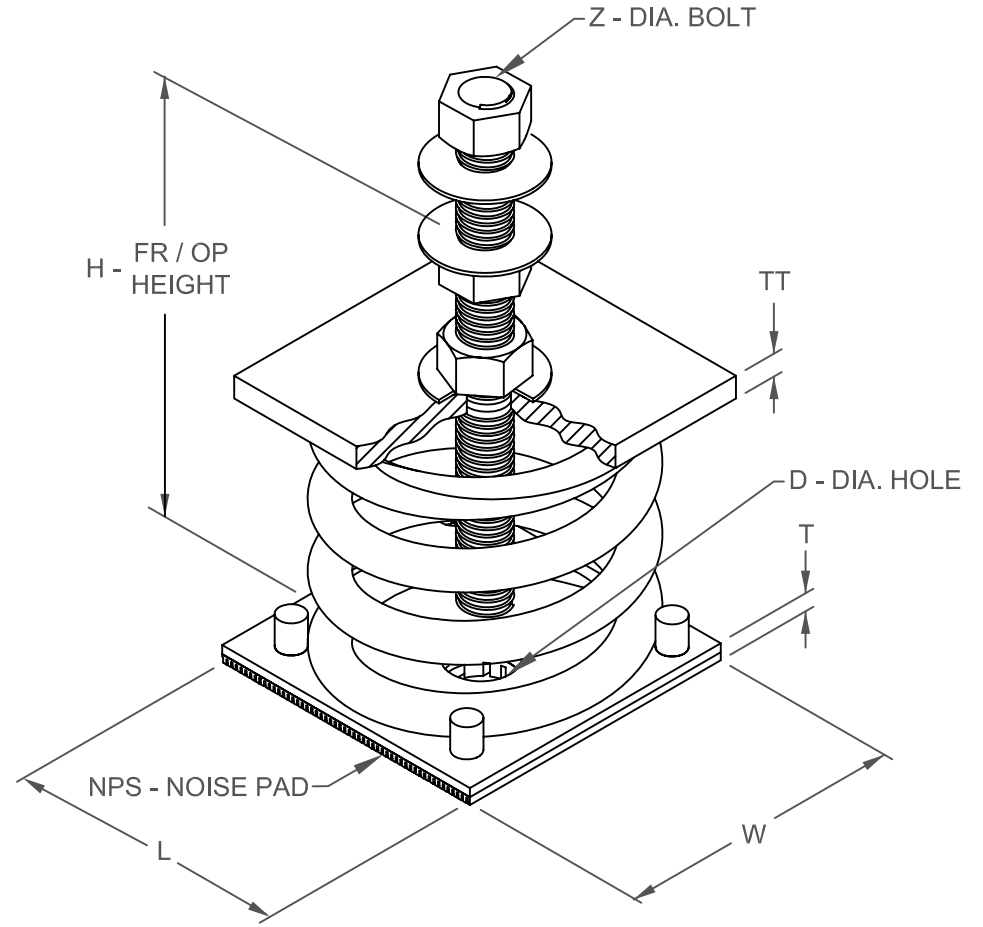


FDS 4" DEFLECTION ISOLATOR
IP UNITS (INCHES AND POUNDS)

TYPE	L	W	T	D	H	TT	Z
4-100/1600	6.00	6.00	0.47	0.81	13.00	0.50	0.88

STANDARD RATINGS		SPRING COIL				
TYPE	SIZE	COLOR	FREE		RATED	
			HT.	O.D.	LOAD	DEFL.
FDS	4-100	GRAY	10.00	5.63	100	4.00
FDS	4-250	BLUE	10.00	5.63	250	4.00
FDS	4-500	GREEN	10.00	5.63	500	4.00
FDS	4-750	BLACK	10.00	5.63	750	4.00
FDS	4-1000	RED	10.00	5.63	1000	4.00
FDS	4-1250	BROWN	10.00	5.63	1250	4.00
FDS	4-1600	ORANGE	10.00	5.63	1600	4.00



SPECIFICATIONS:

- LOAD PLATES ARE AFFIXED TO COIL SPRINGS
- FREE STANDING COIL SPRING ISOLATOR
- POWDER COATED SPRING ELEMENTS
- OTHER METALLIC COMPONENTS BRIGHT ZINC PLATED
- MINIMUM OVERLOAD OF 50%
- MINIMUM K_x/K_y RATIO OF 1.0
- ALL ELEMENTS SAFE AT SOLID LOADING
- ALL THREADED MEMBERS ARE AMERICAN STANDARD



KINETICS NOISE CONTROL, INC
 6300 IRELAN PL,
 DUBLIN, OH 43017 USA
 Ph: 614 889-0480, Fax: 614 889-0540
 www.kineticsnoise.com

Model:
FDS-4-100/1600

By: **JMJ**
 Date: **04/12/02**
 Revised: **6/19/03 / JMJ**

Drawing No:
S-01-20.41