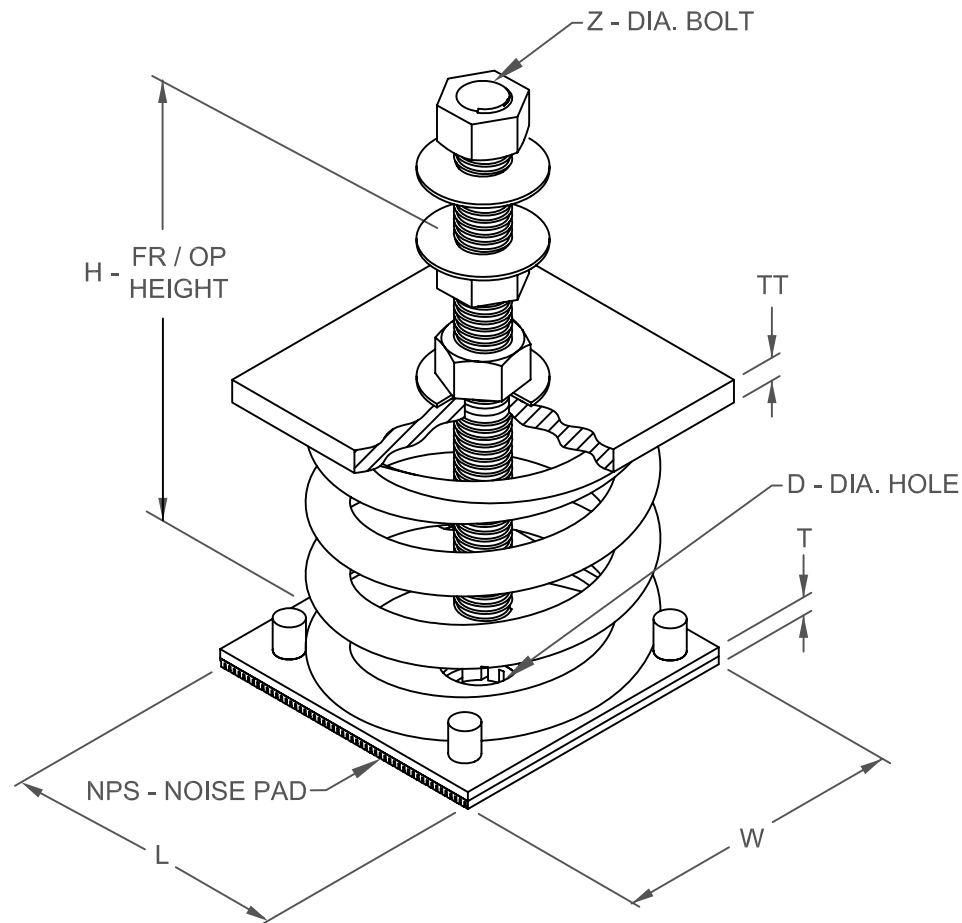


FDS 102 mm DEFLECTION ISOLATOR

S-I UNITS (mm AND kg)

TYPE	L	W	T	D	H	TT	Z
4-100/1600	152	152	12	21	330	13	22

STANDARD RATINGS		SPRING COIL				
TYPE	SIZE	COLOR	FREE		RATED	
			HT.	O.D.	LOAD	DEFL.
FDS	4-100	GRAY	254	143	45	102
FDS	4-250	BLUE	254	143	113	102
FDS	4-500	GREEN	254	143	227	102
FDS	4-750	BLACK	254	143	340	102
FDS	4-1000	RED	254	143	454	102
FDS	4-1250	BROWN	254	143	567	102
FDS	4-1600	ORANGE	254	143	726	102



SPECIFICATIONS:

- LOAD PLATES ARE AFFIXED TO COIL SPRINGS
- FREE STANDING COIL SPRING ISOLATOR
- POWDER COATED SPRING ELEMENTS
- OTHER METALLIC COMPONENTS BRIGHT ZINC PLATED
- MINIMUM OVERLOAD OF 50%
- MINIMUM Kx/Ky RATIO OF 1.0
- ALL ELEMENTS SAFE AT SOLID LOADING
- ALL THREADED MEMBERS ARE AMERICAN STANDARD



KINETICS NOISE CONTROL, INC
 6300 IRELAN PL,
 DUBLIN, OH 43017 USA
 Ph: 614 889-0480, Fax: 614 889-0540
 www.kineticsnoise.com

Model:
FDS-4-100/1600

By: **JMJ**
 Date: **04/12/02**
 Revised: **6/19/03 / JMJ**

Drawing No:
S-01.20-41(M)