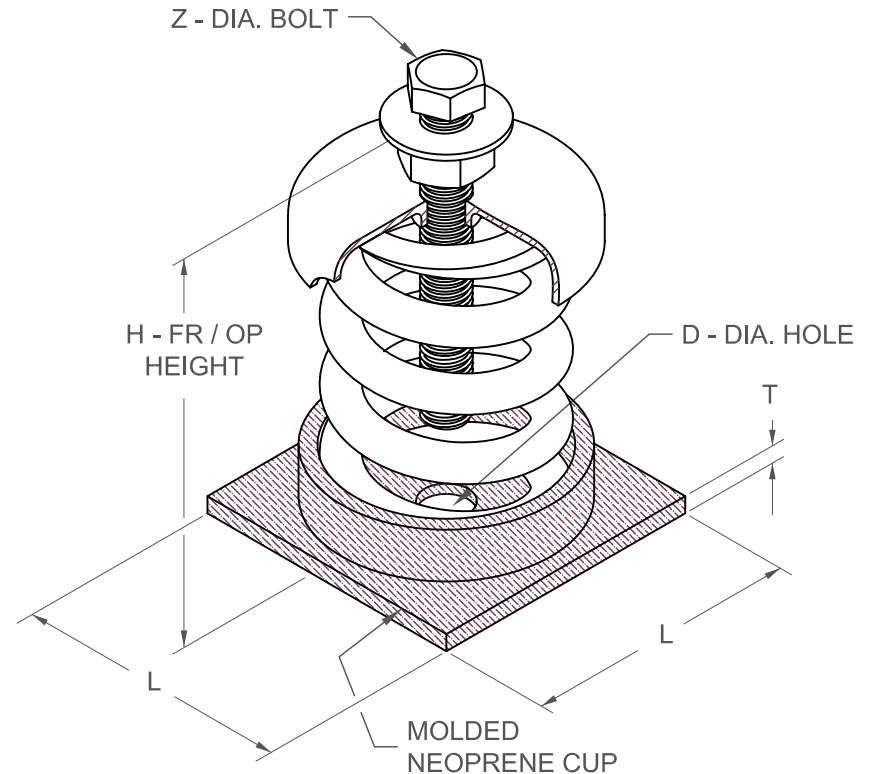


FDS 2" DEFLECTION ISOLATOR

IP UNITS (INCHES AND POUNDS)

TYPE	L	T	D	H	Z
2-100/1975	4.38	0.38	1.00	7.31	0.38

STANDARD RATINGS		SPRING COIL					
TYPE	SIZE	COLOR		FREE		RATED	
		OUTER	INNER	HT.	O.D.	LOAD	DEFL.
FDS	2-100	GRAY		6.09	3.50	100	2.00
FDS	2-135	BEIGE		6.09	3.50	135	2.00
FDS	2-185	BROWN		6.09	3.50	185	2.00
FDS	2-225	GRAY	BROWN	6.09	3.50	225	2.00
FDS	2-250	BLUE		6.09	3.50	250	2.00
FDS	2-375	BLUE	BROWN	6.09	3.50	375	2.00
FDS	2-500	GREEN		6.09	3.50	500	2.00
FDS	2-625	GREEN	BROWN	6.09	3.50	625	2.00
FDS	2-750	BLACK		6.09	3.50	750	2.00
FDS	2-875	BLACK	BROWN	6.09	3.50	875	2.00
FDS	2-995	ORANGE		6.09	3.50	995	2.00
FDS	2-1120	ORANGE	BROWN	6.09	3.50	1120	2.00
FDS	2-1400	ORANGE	GREEN	6.09	3.50	1400	2.01
FDS	2-1600	RED		6.09	3.50	1600	2.00
FDS	2-1975	RED	GREEN	6.09	3.50	1975	1.98



SPECIFICATIONS:

- FREE STANDING COIL SPRING ISOLATOR
- POWDER COATED SPRING ELEMENT
- OTHER METALLIC COMPONENTS BRIGHT ZINC PLATED
- MINIMUM OVERLOAD OF 50%
- MINIMUM Kx/Ky RATIO OF 1.0
- ALL ELEMENTS SAFE AT SOLID LOADING
- ALL THREADED MEMBERS ARE AMERICAN STANDARD



KINETICS NOISE CONTROL, INC
 6300 IRELAN PL,
 DUBLIN, OH 43017 USA
 Ph: 614 889-0480, Fax: 614 889-0540
 www.kineticsnoise.com

Model:
FDS-2-100/1975

By: **JMJ**
 Date: **04/16/02**
 Revised: **11/15/04 / BB**

Drawing No:
S-01.20-21