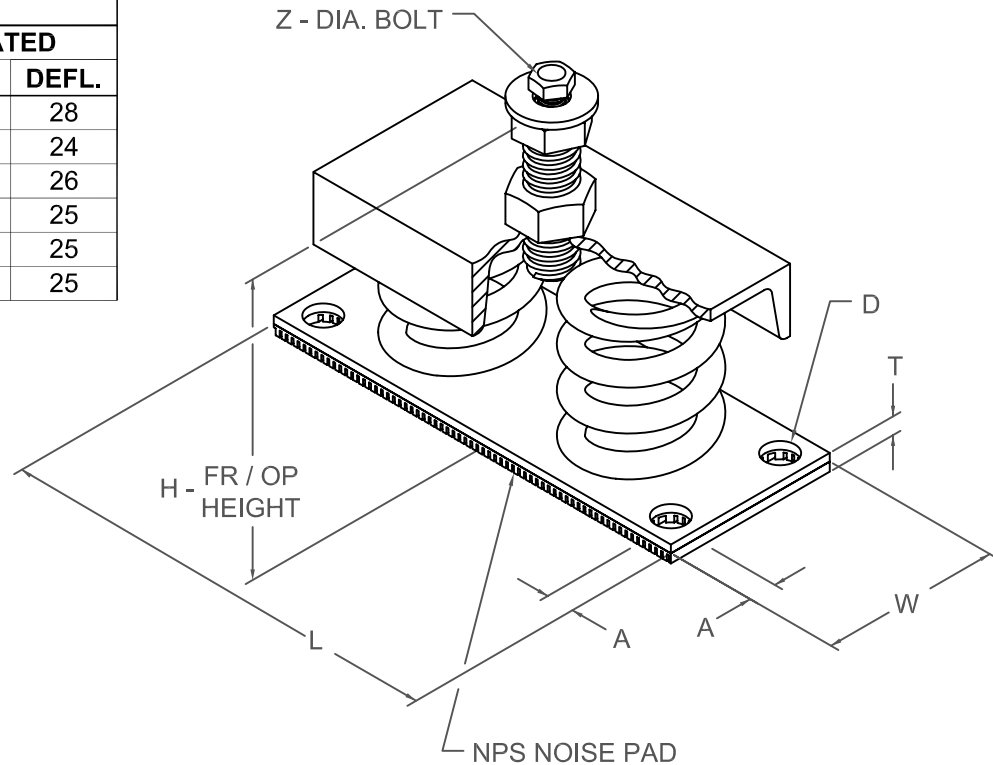


FDS 25 mm DEFLECTION ISOLATOR

S-I UNITS (mm AND kg)

TYPE	L	W	T	A	D	H	Z
1-2500B/7000B	254	102	10	16	17	159	13

STANDARD RATINGS		SPRING COIL					
TYPE	SIZE	COLOR		FREE		RATED	
		OUTER	INNER	HT.	O.D.	LOAD	DEFL.
FDS	1-2500B	GRAY	GRAY	107	76	1134	28
FDS	1-3400B	GRAY	GRAY	107	76	1542	24
FDS	1-4400B	GRAY	GRAY	107	76	1996	26
FDS	1-4930B	GRAY	GRAY	107	76	2236	25
FDS	1-5730B	GRAY	GRAY	107	76	2599	25
FDS	1-7000B	GRAY	GRAY	107	76	3175	25



SPECIFICATIONS:

- LOAD PLATES ARE WELDED TO COIL SPRINGS
- FREE STANDING COIL SPRING ISOLATOR
- PAINTED SPRING ELEMENTS
- OTHER METALLIC COMPONENTS BRIGHT ZINC PLATED
- MINIMUM OVERLOAD OF 50%
- MINIMUM Kx/Ky RATIO OF 1.0
- ALL ELEMENTS SAFE AT SOLID LOADING
- ALL THREADED MEMBERS ARE AMERICAN STANDARD



KINETICS NOISE CONTROL, INC
 6300 IRELAN PL.,
 DUBLIN, OH 43017 USA
 Ph: 614 889-0480, Fax: 614 889-0540
 www.kineticsnoise.com

Model:
**FDS-1-
 2500B/7000B**

By: **JMJ**
 Date: **04/09/02**
 Revised: **6/19/03 / JMJ**

Drawing No:
S-01.20-13(M)