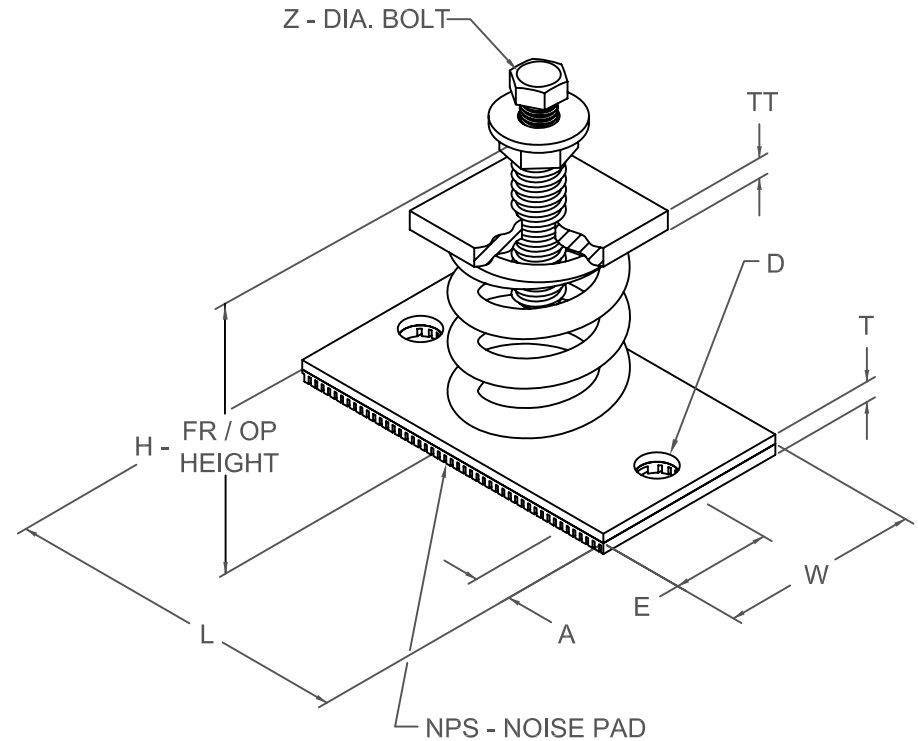


# FDS 25 mm DEFLECTION ISOLATOR

S-I UNITS (mm AND kg)

| TYPE         | L   | W   | T  | A  | E  | D  | H   | TT | Z  |
|--------------|-----|-----|----|----|----|----|-----|----|----|
| 1-120B/805B  | 114 | 64  | 10 | 13 | 32 | 14 | 108 | 3  | 10 |
| 1-250B/3500B | 178 | 102 | 10 | 19 | 51 | 17 | 143 | 10 | 10 |

| STANDARD RATINGS |         | SPRING COIL |       |      |      |       |       |
|------------------|---------|-------------|-------|------|------|-------|-------|
| TYPE             | SIZE    | COLOR       |       | FREE |      | RATED |       |
|                  |         | OUTER       | INNER | HT.  | O.D. | LOAD  | DEFL. |
| FDS              | 1-120B  | GRAY        |       | 81   | 44   | 54    | 30    |
| FDS              | 1-220B  | GRAY        |       | 81   | 44   | 100   | 27    |
| FDS              | 1-370B  | GRAY        |       | 81   | 44   | 168   | 24    |
| FDS              | 1-500B  | GRAY        |       | 81   | 44   | 227   | 25    |
| FDS              | 1-600B  | GRAY        |       | 81   | 44   | 272   | 25    |
| FDS              | 1-700B  | GRAY        | GRAY  | 81   | 44   | 318   | 25    |
| FDS              | 1-805B  | GRAY        | GRAY  | 81   | 44   | 365   | 26    |
| FDS              | 1-250B  | GRAY        |       | 107  | 76   | 113   | 45    |
| FDS              | 1-450B  | GRAY        |       | 107  | 76   | 204   | 39    |
| FDS              | 1-625B  | GRAY        |       | 107  | 76   | 283   | 37    |
| FDS              | 1-800B  | GRAY        |       | 107  | 76   | 363   | 33    |
| FDS              | 1-1000B | GRAY        |       | 107  | 76   | 454   | 29    |
| FDS              | 1-1250B | GRAY        |       | 107  | 76   | 567   | 28    |
| FDS              | 1-1700B | GRAY        |       | 107  | 76   | 771   | 24    |
| FDS              | 1-2200B | GRAY        | GRAY  | 107  | 76   | 998   | 26    |
| FDS              | 1-2465B | GRAY        |       | 107  | 76   | 1118  | 25    |
| FDS              | 1-2865B | GRAY        | GRAY  | 107  | 76   | 1300  | 25    |
| FDS              | 1-3500B | GRAY        | GRAY  | 107  | 76   | 1588  | 25    |



## SPECIFICATIONS:

- LOAD PLATES ARE WELDED TO COIL SPRING
- FREE STANDING COIL SPRING ISOLATOR
- PAINTED SPRING ELEMENT
- OTHER METALLIC COMPONENTS BRIGHT ZINC PLATED
- MINIMUM OVERLOAD OF 50%
- MINIMUM Kx/Ky RATIO OF 1.0
- ALL ELEMENTS SAFE AT SOLID LOADING
- ALL THREADED MEMBERS ARE AMERICAN STANDARD



KINETICS NOISE CONTROL, INC  
 6300 IRELAN PL,  
 DUBLIN, OH 43017 USA  
 Ph: 614 889-0480, Fax: 614 889-0540  
 www.kineticsnoise.com

Model:  
**FDS-1-120B/3500B**

By: **JMJ**  
 Date: **04/11/02**  
 Revised: **6/19/03 / JMJ**

Drawing No:  
**S-01.20-12(M)**